

Peristaltic pumps MS Series

Model MS2




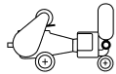
Instructions for use

Original version in Italian
Fourth edition - January 2020

Document code
LM32EN004

All rights reserved. The user must not reproduce, save in a data storage system or transmit, in any form and with any means, including mechanical systems, photocopies, recordings or other, any part of this manual without the prior written permission of Ragazzini SRL. Short excerpts appearing in articles in specialised publications are exempt from the above prohibitions.

ragazzini **Rotho** and **Rotho-NOXYS** are registered trade marks of Ragazzini SRL.

The logos  and  are the property of Ragazzini SRL.

CONTENTS

A	CHARACTERISTIC DATA – MACHINE CONFIGURATION	(attached to the machine)	
B	GENERAL WARNINGS		5
B.1	RESPONSIBILITY		6
B.2	ORIGINAL VERSION OF THE INSTRUCTIONS		6
B.3	PRODUCT CONFORMITY		6
B.3.1	COPY OF THE CE DECLARATION OF CONFORMITY		7
B.3.2	IDENTIFICATION DATA PLATE		8
B.4	EXPLANATION OF SYMBOLS AND ICONS USED IN THE MANUAL		9
B.4.1	WARNING NOTES		9
B.4.2	DANGER ICONS THAT MAY APPEAR IN THE INSTRUCTIONS FOR USE		9
C	SAFE INTERACTION WITH THE MACHINE		10
C.1	WORK STATION		10
C.2	MAN-MACHINE INTERFACES		10
C.3	INTENDED USE OF THE NON-ATEX VERSION MS PUMP		10
C.3.1	INTENDED USE OF THE MACHINE		10
C.3.2	PROHIBITED USES		10
C.3.3	REASONABLY FORESEEABLE MISUSE OF THE MACHINE		10
C.4	INTENDED USE OF THE ATEX VERSION MS PUMP		11
C.4.1	INTENDED USE OF THE MACHINE		11
C.4.2	PROHIBITED USES		11
C.5	GUARDS AND PROTECTION DEVICES		12
C.5.1	ELECTRICAL SAFETY DEVICES (OPTIONAL CONFIGURATION WITH ELECTRICAL PANEL)		12
C.5.2	SAFETY FUNCTIONS IN COMPLIANCE WITH STANDARD EN13849-1		12
C.5.3	NOISE RISK REDUCTION MEASURES		12
C.5.4	EXTREME TEMPERATURE RISKS REDUCTION MEASURES		12
C.5.5	OTHER RISK REDUCTION MEASURES		12
C.6	RESIDUAL RISKS		13
C.6.1	RESIDUAL RISKS DURING NORMAL USE OF THE MACHINE		13
C.6.2	RISKS GENERATED BY TAMPERING AND/OR PROHIBITED CONDUCT		13
C.6.3	RESIDUAL RISKS DURING MAINTENANCE		13
C.6.4	DANGER ZONES		13
C.6.5	RISKS FOR EXPOSED PERSONS		14
C.6.6	INFORMATION AND WARNINGS AFFIXED TO THE MACHINE		14
C.7	PROTECTIVE MEASURES TO BE ADOPTED BY THE USER		15
C.7.1	PERSONAL PROTECTIVE EQUIPMENT		15
D	GENERAL DESCRIPTION		16
D.1	OPERATING PRINCIPLES		17
D.2	SIZES AND DIMENSIONS		17
D.2.1	FIXED INSTALLATION		17
D.2.2	TROLLEY-MOUNTED INSTALLATION		18
E	TRANSPORT - STORAGE - LIFTING		19
E.1	GENERAL WARNINGS		19
E.2	PERSONAL PROTECTIVE EQUIPMENT		19
E.3	TRANSPORT		20
E.4	LIFTING AND HANDLING		20
E.5	STORAGE		20
F	INSTALLATION		21
F.1	GENERAL WARNINGS		21
F.2	PERSONAL PROTECTIVE EQUIPMENT		21
F.3	OPERATING AND MAINTENANCE CLEARANCES		21
F.4	PRE-INSTALLATION CHECKS		22
F.5	ELECTRICAL CONNECTION		22
F.5.1	CONFIGURATION WITHOUT ELECTRICAL PANEL		22
F.5.2	OPTIONAL CONFIGURATION WITH ELECTRICAL PANEL		22
F.6	CONNECTION TO THE PRODUCT RECEPTION SYSTEM		23
F.7	PIPES – CORRECT INSTALLATION		24
F.7.1	FLUID PRODUCTS		24
F.7.2	VISCOUS PRODUCTS		24
F.7.3	OVERPRESSURE		24
F.7.4	PUMP STOPPED		24
G	INSTRUCTIONS FOR COMMISSIONING - USE - SHUT-DOWNS		25
G.1	GENERAL WARNINGS FOR ROUTINE MACHINE OPERATION		25
G.1.1	CHECKS AND INSPECTIONS FOR SAFE USE OF THE MACHINE		25
G.2	PERSONAL PROTECTIVE EQUIPMENT		26
G.3	EMERGENCY STOP		26
G.3.1	RESET AFTER AN EMERGENCY STOP		26
G.4	START-UP		27
G.5	USE – START-UP (ROLLER IN WORKING POSITION)		27
G.5.1	ACTIONS TO BE AVOIDED		28
G.6	SHUT-DOWN		28
G.6.1	STOPPING THE PUMP		28
G.6.2	DRAINING THE PUMP		28
G.6.3	FLUSHING THE PIPES		28

G.6.4	PROLONGED STOPS.....	28
G.7	COMPLIANCE WITH HYGIENE REQUIREMENTS.....	28
G.7.1	DRAINAGE.....	28
G.7.2	CLEANING.....	28
G.8	RESIDUAL RISKS.....	29
G.8.1	USE WITH FOOD FLUIDS.....	29
G.9	CONFIGURATION.....	29
H	TROUBLESHOOTING.....	30
I	MAINTENANCE.....	31
I.1	GENERAL WARNINGS.....	31
I.2	PRECAUTIONS AND WARNINGS WHEN PREPARING THE MACHINE FOR ROUTINE MAINTENANCE.....	31
I.3	PERSONAL PROTECTIVE EQUIPMENT.....	32
I.4	PROCEDURES FOR PLACING THE MACHINE IN MAINTENANCE STATUS.....	32
I.5	NORMAL WEAR PARTS.....	33
I.6	LUBRICATION.....	33
I.7	TUBULAR ELEMENT REPLACEMENT.....	34
I.8	TUBULAR ELEMENT RUPTURE DETECTION SENSOR.....	36
I.8.1	TECHNICAL DATA.....	36
I.8.2	ELECTRICAL CONNECTIONS (TYPICAL WIRING DIAGRAM).....	36
I.8.3	ATEX VERSION.....	36
I.9	PROLONGED DISUSE.....	37
I.10	COMPONENTS MAINTENANCE – MS PUMP ATEX VERSION.....	38
J	SPARE PARTS.....	39
J.1	HOW TO ORDER SPARE PARTS.....	39
J.2	EXAMPLE ORDER.....	39
J.3	SPARE PARTS LIST.....	40
K	SCRAPPING AND DISPOSAL.....	41
K.1	GENERAL WARNINGS CONCERNING SCRAPPING AND DISPOSAL OF THE MACHINE.....	41
K.1.1	SPECIAL AND HAZARDOUS WASTE.....	41
K.2	PERSONAL PROTECTIVE EQUIPMENT REQUIRED DURING MACHINE SCRAPPING AND DISPOSAL.....	41
K.3	DISMANTLING THE MACHINE.....	41
K.4	SORTING MATERIALS.....	42
K.5	DISPOSING OF MACHINE MATERIALS AND PRODUCTS.....	42
L	PUMP OPTIONAL CONFIGURATIONS.....	43
L.1	CONFIGURATION WITH ELECTRICAL PANEL.....	43
L.1.1	ATEX VERSION.....	43
L.2	TROLLEY-MOUNTED CONFIGURATION.....	43
L.2.1	ATEX VERSION.....	43
L.3	GEAR UNIT.....	44
L.3.1	ATEX VERSION.....	44
L.4	MOTOR.....	44
L.4.1	ATEX VERSION.....	44
L.5	PRESSURE SWITCH.....	45
L.5.1	TECHNICAL DATA.....	45
L.5.2	ELECTRICAL CONNECTIONS.....	45
L.5.3	CALIBRATION.....	45
L.5.4	OVERALL DIMENSIONS.....	45
L.5.5	ATEX VERSION.....	45
L.6	RRA SYSTEM CONFIGURATION.....	46
M	INSTRUCTIONS FOR ROLLER ENGAGEMENT – DISENGAGEMENT.....	47
M.1	ROLLER ENGAGEMENT.....	47
M.2	ROLLER DISENGAGEMENT.....	48
M.3	ACTIONS TO BE AVOIDED.....	48
M.5	ELECTRICAL CONNECTIONS (TYPICAL WIRING DIAGRAM).....	49
M.6	MICROSWITCH TECHNICAL DATA.....	49
M.6.1	ATEX VERSION.....	49
N	IDEAL CHARACTERISTIC EFFICIENCY OF THE PERISTALTIC PUMP.....	50
O	TUBULAR ELEMENT.....	51
O.1	SELECTION CRITERIA.....	51
O.2	DISPOSAL.....	51
O.3	TUBULAR ELEMENT SELECTION GUIDE.....	52

B GENERAL WARNINGS

- Read the manual carefully before starting any operation.
- The machine must be used as supplied by Ragazzini S.r.l, following all the instructions and indications given in this manual.
- The necessary spare parts for each component will be supplied by Ragazzini S.r.l, otherwise we decline all responsibility for the product and / or the damage it could cause.
- These instructions contain the information necessary to train and inform the operator in order to prevent improper or dangerous use of the machine.
- The instructions must be supplemented by the legislative provisions and the technical standards in force and do not replace any plant standards and any additional prescriptions, even non-legislative, issued in any case for safety purposes.
- These instructions for use constitute an integral part of the machine and must always be kept in good condition and in a safe place where they are readily available to the operator (or anyone else who needs to consult them, as long as said person is duly authorised to use or work on the machine) for the entire service life of the machine.
- If the machine is sold, hired, loaned or leased to others the instruction manual must always be handed over to the new owner/user.
- The employer (or its agent) must ensure that its operators read these instructions in their entirety.
- Unfamiliarity with the information and warnings given in this manual can lead to situations of risk for the health and safety of operators.
- The operator must comply with the warnings and procedures set down in these instructions in all stages of the machine's life cycle.
- Peristaltic pumps are machines that present dangerous parts as they are under tension and equipped with movement. Therefore:
 - Improper use.
 - Removing the protections and / or disconnecting the protection devices.
 - Lack of inspections and maintenance.They can cause serious damage to people or things.
- If the operator identifies any differences between the contents of this document and the machine, the supervisor¹ must be informed immediately and the machine must not be used: incorrect or makeshift manoeuvres can be a source of danger for the health of the operator and/or persons near the machine.
- The safety manager must ensure that the machine is handled, installed, put into service, used, put into maintenance and repaired only by qualified personnel who must therefore possess:
 - Specific technical training and experience.
 - Knowledge of technical standards and applicable laws.
 - Knowledge of general national, local and plant safety requirements.
- The machine is intended to be part of an industrial plant. It is the responsibility of the customer (in the figure of the safety manager) to guarantee the overall safety and carry out the analysis of the risks associated with interfacing with other components of the plant.
- Adopt the necessary additional protective measures and related signage.
- The following works cannot be performed without the authorization of the security officer:
 - Installation
 - Plant modifications (configuration or destination of use)
 - Operations on the electrical parts of the machine.

¹ Supervisor: person in charge who, informed of the workplace and its occupants, is responsible for supervising the work activities and enforcing compliance with the instructions issued.

B.1 RESPONSIBILITY

The manufacturer, i.e. Ragazzini S.r.l., is not responsible to:

- Improper use of the machine or for purposes other than those envisaged;
- Failure to follow the instructions for use and maintenance provided by Ragazzini S.r.l.;
- Failure to comply with regulations and safety measures indicated in this manual and / or the additional documentation provided;
- Possible tampering, replacements or modifications (not authorized in writing by the manufacturer, i.e. Ragazzini S.r.l.) of one or more parts of the machine;
- Any intervention that is not part of ordinary maintenance.

Therefore Ragazzini S.r.l. is not responsible for any direct or indirect damage resulting from failure to comply with the above.

B.2 ORIGINAL VERSION OF THE INSTRUCTIONS

This document was originally issued in Italian.

In the event of disputes due to translated versions, even if provided by Ragazzini S.r.l., the only valid text shall remain solely and exclusively the original Italian version.

B.3 PRODUCT CONFORMITY

The machine described in these instructions is designed and built for installation in industrial premises.

The machine is sold:

- With CE declaration of conformity in compliance with directive 2006/42/EC, Annex II, Point 1 A.
- With CE declaration of conformity in compliance with directive 2014/34/UE, Annex X, letter B (ATEX version).

Any modifications that alter the design and construction features of the machine in terms of place of use, safety and risk prevention may only be made by the manufacturer, which will subsequently certify conformity to the safety standards in force.

Any changes in location, modifications or maintenance operations not contemplated in this document are to be considered unauthorised.

Ragazzini S.r.l. declines all liability if the above safety prescription is disregarded.

B.3.2 Identification dataplate

The pump is identified by type, serial number, and year of construction, as shown on the dataplate affixed to it.

Heed the following warnings at all times:

- Do not remove the dataplate from its original position;
- Do not alter or falsify the technical data;
- Do not clean the dataplate with abrasive tools (e.g. wire brushes) or the data may become illegible.




NOTE: All information on the dataplate must remain legible at all times. Use the identification data in all communications with the manufacturer, e.g. requests for replacement parts, information, and technical assistance. If the dataplate becomes defaced through time or if any of the data are illegible, request a replacement from the manufacturer, quoting the data given in this manual or on the original dataplate.

B.4 EXPLANATION OF SYMBOLS AND ICONS USED IN THE MANUAL


B.4.1 Warning notes

Warnings concerning possible risks for the operator's health and safety are shown with warning notes accompanied by the specific danger icon (see heading B.4.2 "Danger icons that may appear in the instructions for use"); the text of warning notes is shown on a yellow background.

Warning note example:

MOVING PARTS HAZARD: Do not remove or tamper with the guards.	
--	---

The specific instructions / warnings for ATEX pumps are shown as indicated below (the text of the note is shown on a yellow background and accompanied by the icon for environments at risk of explosion and/or fire).







Note text	
-----------	---

Instructions that may, if disregarded, result in impairment of machine operation are shown as follows:

Note text	
-----------	--

B.4.2 Danger icons that may appear in the instructions for use

The following danger icons are used in this manual:

	DANGER		ELECTROCUTION		MOVING PARTS
	SUSPENDED LOADS		HIGH TEMPERATURES		HAZARDOUS SUBSTANCES

C SAFE INTERACTION WITH THE MACHINE

C.1 WORK STATION

Refer to the client's production line.

C.2 Man-machine interfaces

Refer to section L "PUMP OPTIONAL CONFIGURATIONS" for information on the commands to be used by the operator, if present.

C.3 INTENDED USE OF THE NON-ATEX VERSION MS PUMP

C.3.1 Intended use of the machine

MS series peristaltic pumps are designed and manufactured by Ragazzini Srl for suction and transfer of both solid and liquid products with suspended solid parts of up to 45% of the inside diameter of the tubular element.

Environmental limits:

- Ambient temperature: between -10°C and 40°C.
- Working environment: indoor or outdoor with protection from direct sunlight and weather.
- Lighting: The place of installation must be adequately lit (minimum 200 lux).

ANY OTHER USE OF THE PUMP OUTSIDE THE ABOVE DESCRIBED USE IS PROHIBITED BY THE MANUFACTURER.

C.3.2 Prohibited uses.

The machine must not be used:

- For any operations other than those described under heading C.3.1 "Intended use of the machine".
- In outdoor sites or in enclosed premises not equipped with a lightning protection system.
- In places exposed to direct sunlight.

Limitations on machine use:

Do not:

- Use the machine in a configuration other than the configuration envisaged by the manufacturer.
- Use the machine in places subject to the risk of explosion and/or fire (the machine is not certified in compliance with ATEX directive 2014/34/UE).
- Use the machine with fluids at temperatures above the maximum permissible temperatures for the suction hose.
- Pump products with suspended solid parts in excess of 45% of the inside diameter of the tubular element.
- Incorporate other systems and/or equipment not contemplated by the manufacturer during the executive design phase.
- Remove machine components or parts.
- Operate when the machine is stopped before disconnecting electricity. The machine can have a remote driving consent ("auto") or a remote control and can restart suddenly.
- Move the machine if connected to the electricity supply.

C.3.3 Reasonably foreseeable misuse of the machine

Do not:

- Tamper with the machine or any one of its safety devices;
- Tamper with the movable and/or fixed guards;
- Bypass the safety devices;
- Climb onto the machine and/or pass over it.

C.4 INTENDED USE OF THE ATEX VERSION MS PUMP**C.4.1 Intended use of the machine**

MS series peristaltic pumps are designed and manufactured by Ragazzini Srl for suction and transfer of both solid and liquid products with suspended solid parts of up to 45% of the inside diameter of the tubular element.

Environmental limits:

- Ambient temperature: between -10°C and 40°C.
- Working environment: indoors or outdoors, with protection from direct sunlight and the weather, environment classified as ATEX zone II 2G h IIB T4 Gb - II 2D h IIB T=135°C Db.
- Lighting: The place of installation must be adequately lit (minimum 200 lux).

ANY OTHER USE OF THE PUMP OUTSIDE THE ABOVE DESCRIBED USE IS PROHIBITED BY THE MANUFACTURER.

C.4.2 Prohibited uses.**The machine must not be used:**


- For any operations other than those described under heading C.4.1 "Intended use of the machine".
- In places with temperatures outside the range -10°C to +40°C.
- Near equipment that generates stray electrical currents.
- In outdoor sites or in enclosed premises not equipped with a lightning protection system.
- In places exposed to direct sunlight.

Limitations on use of the machine:**Do not:**

- Use the machine in a configuration other than the configuration envisaged by the manufacturer.
- Use the machine in Zone 0-20 classified areas.
- Use the machine in areas subject to the presence of gas having a flash point below 135°C.
- Use the machine in areas subject to the presence of IIC classified gases.
- Pump products at a temperature in excess of 40°C; exceeding this limit does not allow compliance with the temperature class.
- Pump products with suspended solid parts in excess of 45% of the inside diameter of the tubular element.
- Incorporate other systems and/or equipment not contemplated by the manufacturer during the executive design phase.
- Remove machine components or parts.
- Use the pump in case of product / pumped fluid leaks.


C.5 GUARDS AND PROTECTION DEVICES

The machine is equipped with the safety protections required to prevent injury to the operator and damage to the machine. The machine is equipped with a fixed guard to protect its potentially dangerous elements, secured by means of fasteners that cannot be removed without tools. The other moving parts (motor, gear unit) are commercial components that are already certified by their manufacturers.

MOVING PARTS HAZARD: Do not remove or tamper with the guards.	
--	---

C.5.1 Electrical safety devices (optional configuration with electrical panel)

The machine can be equipped with an electrical panel complete with controlgear. The commercial components forming part of the electrical equipment are identified and CE marked and they are accompanied by their respective CE Declarations of Conformity. The machine is equipped with a red mushroom head emergency pushbutton on a yellow backplate located on the electrical panel. In the RRA configuration the mobile guard is equipped with a safety interlock microswitch.

ELECTROCUTION HAZARD: In the event of a fire outbreak near the machine (or on the machine itself), never use water or any other aqueous or wet extinguishing media as this could lead to a risk of electrocution by indirect contact.	
--	---

C.5.2 Safety functions in compliance with standard EN13849-1

The safety² functions described below are implemented on the machine:

Safety Function	PL ³
Pump stops when emergency stop pushbutton is pressed	C
Pump stops due to tubular element rupture sensor trip	C
Pump stops due to pressure switch trip (if present)	C
Pump stops due to opening of the mobile guard (optional RRA configuration)	C

For the pressure switch data sheet, see paragraph L.5 “PRESSURE SWITCH”


C.5.3 Noise risk reduction measures

The value given below refers to measurements made on a pump manufactured by Ragazzini S.r.l., technically comparable and representative of the machine described in these instructions.


The noise level of all other machines manufactured by Ragazzini S.r.l is lower than the noise level shown.

Type	DF 190
Serial number	DF159748
A-weighted sound pressure level of noise emissions in the workplace	76.6 dB(A)

C.5.4 Extreme temperature risks reduction measures

HIGH TEMPERATURES HAZARD: when pumping fluids having a constant temperature in excess of 60°C suitable warning signs or shielding must be provided.	
--	---

C.5.5 Other risk reduction measures

DANGER: The machine is not equipped with lightning protection and must therefore be installed in protected environments.	
---	---

² The definition of safety function is reported in the UNI EN ISO 13849-1 standard; a safety function is a function of the machine whose failure can lead to an immediate increase in the risk related to the machine itself.

³ The PL (Performance Level): in the UNI EN ISO 13849-1 standard the Performance Level is defined as a discrete level used to specify the ability of safety related control parts to perform a safety function in the conditions envisaged. It is assigned 5 values, from PLa to PLe with increasing risk (PL = e > PL = d > PL = c > PL = b > PL = a).


C.6 Residual risks

Risks resulting from:

- Operator distraction,
- Failure to observe the information and prescriptions provided in this manual,
- Improper uses of the machine;

Cannot be totally eliminated by inherently safe design due to the machine construction type.

The following information concerns residual risks that persist despite adoption of the protective measures described in the present manual.

WARNING: All machine handling, installation, maintenance and scrapping operations must be carried out in a non-explosive atmosphere. 

C.6.1 Residual risks during normal use of the machine

No operator hazards are present during normal machine operation if the guards are intact and correctly installed, because movements that can produce risk conditions are adequately protected by guards.

C.6.2 Risks generated by tampering and/or prohibited conduct

Following tampering and / or incorrect assembly of the protection devices (fixed guards) and / or mobile devices (if present) and subsequent start-up of the machine, the following residual risks connected to hazards of a mechanical nature will be present:

List of hazards		Hazard condition identification			Detailed description of the risk
Type or group	Source	Potential consequences	Danger zone	Life cycle stages	
Mechanical	High Pressure	Projection of objects Friction/abrasion	Machine area	Production Maintenance Adjustment	Risk of damage due to the expulsion of objects or fluids under pressure during operation or when the machine is stationary due to residual pressure in the pipes or parts of them clogged.
Mechanical	Rotating elements	Drawing in and entrapment Crushing Shearing	Machine area	Production Maintenance Adjustment	Risk of contact between moving parts of the machine (presser rollers, driveline components, motor, gear unit) and parts of the operator's body

Another source of risk for the operator caused by prohibited conduct can arise due to failure to use adequate P.P.E. (Personal Protective Equipment).

C.6.3 Residual risks during maintenance

During machine maintenance it is reasonably foreseeable that injury may occur to:

- Upper limbs (abrasion on mechanical components)
- Lower limbs (falling of inadequately supported mechanical parts),
- Eyes (hazards generated by pressurised fluids and elements under tension),
- The head (contact with machine components).

If the emergency stop pushbutton is pressed only the power feeding cables remain energised.

C.6.4 Danger zones


On the basis of the above considerations, the following are to be considered danger zones:

- The internal area of the machine, during execution of the production cycle with guards tampered with or removed;
- (Optional configuration with electrical panel) the space alongside electrical panels with door open and power connected, during troubleshooting operations.

C.6.5 Risks for exposed persons

Exposed persons are persons not involved in running the machine and hence other plant workers or visitors. These instructions do not address problems external to the machine user company so persons near the company premises are not classified as exposed persons.

This type of machine is not associated with risks for exposed persons during operation (with electrical panel door closed and machine in maximum safety conditions).

<p>WARNING: NO ACCESS TO UNAUTHORISED PERSONS</p> <p>During normal operation ensure exposed persons are kept at a safe distance from the danger zones.</p> <p>During maintenance: do not allow extraneous persons to approach the machine under any circumstances. Cordon off the area surrounding the machine and display warning signs to the effect "MAINTENANCE IN PROGRESS" around the area, if deemed necessary.</p>	
---	---

C.6.6 Information and warnings affixed to the machine

After identifying several residual risks the machine has been equipped with warning decals defined in compliance with European and international standards concerning the graphic symbols to be used on plants (EN ISO 7010).

The client must replace any defaced or illegible warning decals immediately.


The following warning decals are affixed to the machine

Do not remove the guards



You must read the instructions








<p>WARNING:</p> <p>Do not remove the warning signs and decals affixed to the machine.</p> <p>Ragazzini S.r.l. declines all liability for machine safety if the above prohibition is disregarded.</p>	
--	---

C.7 Protective measures to be adopted by the user

C.7.1 Personal protective equipment

To protect the operator's health and safety during the various stages of the machine life cycle, it is mandatory to use (or to have access to) the P.P.E. (Personal Protective Equipment) indicated below. The manufacturer requires clients to use the machine with CE marked P.P.E. in compliance with the directive concerning personal protective equipment. The operator must comply with the directive, which sets out the methods of use of personal protective equipment during work activities. Since it is impractical to predict all possible machine operating conditions, the P.P.E. listed refer only to use of the machine: the employer must prescribe the use of any additional P.P.E. required in compliance with the actual situation in the production site.

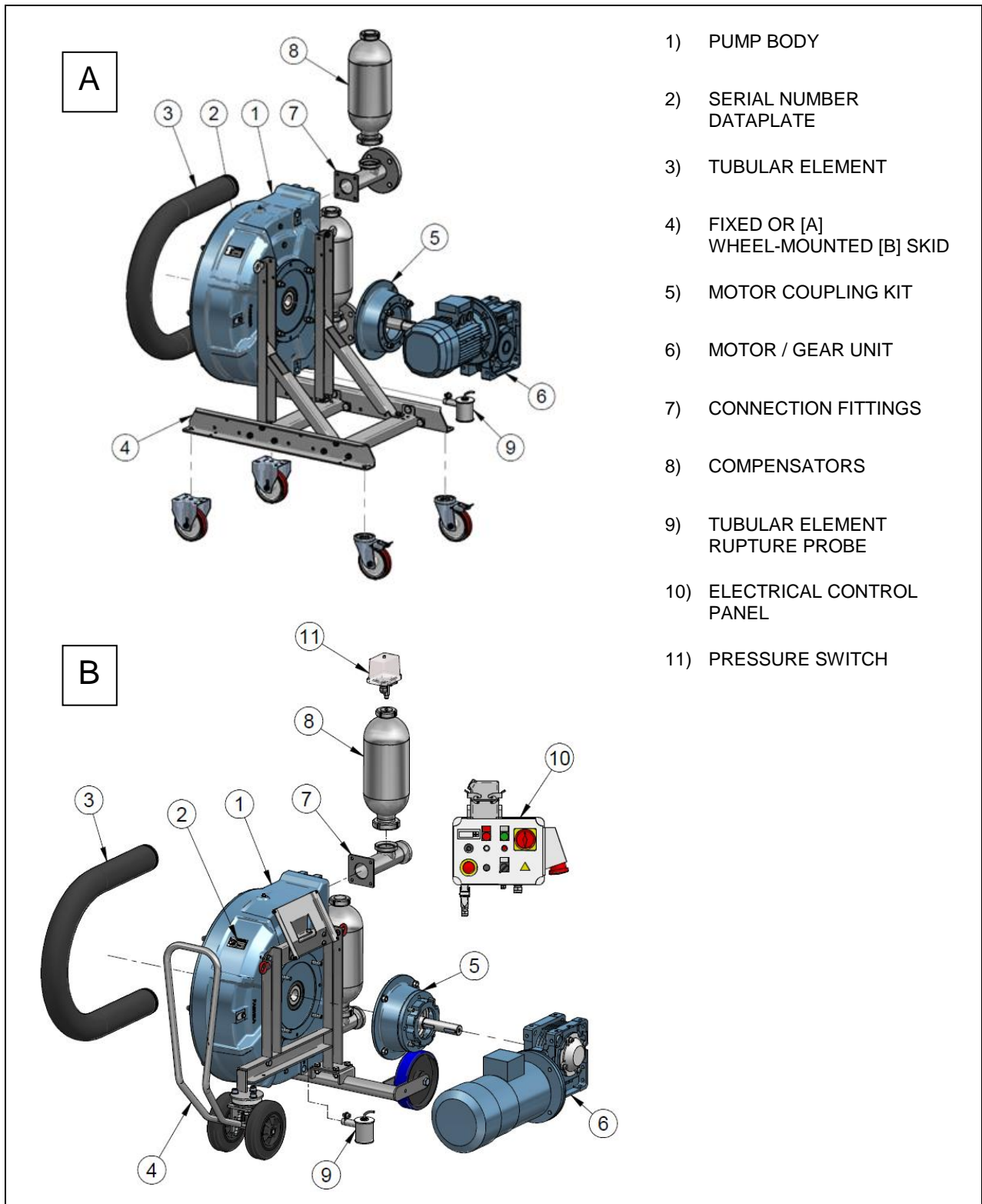
PPE to be used during the various stages of the machine's life cycle			
Icon	Description	Machine life cycle stages	Notes
	FOOTWEAR	<ul style="list-style-type: none"> • transportation; • installation; • use; • maintenance; • dismantling and scrapping 	Use safety footwear to protect against the risk of falling objects.
	DIELECTRIC FOOTWEAR WITHOUT METAL PARTS FOR USE BY ELECTRICIANS	<ul style="list-style-type: none"> • maintenance of electrical components 	Use dielectric safety footwear to protect against hazards generated by direct or indirect contact.
	PROTECTIVE GLOVES	<ul style="list-style-type: none"> • transportation; • installation; • maintenance; • dismantling and scrapping 	Safety gloves must be available for handling objects that could cause hand injuries.
	INSULATED PROTECTIVE GLOVES	<ul style="list-style-type: none"> • maintenance of electrical components 	Use protective insulating gloves to protect against hazards generated by direct or indirect contact
	HARD HAT	<ul style="list-style-type: none"> • transportation; • installation; • use; • maintenance; • dismantling and scrapping 	A hard hat must be worn during machine lifting operations to protect against hazards generated by suspended loads.
	SUITABLE CLOTHING	<ul style="list-style-type: none"> • transportation; • installation; • use; • maintenance; • dismantling and scrapping 	Suitable clothing such as overalls. Do not wear clothing with loose sleeves and/or other loose items which could easily be drawn in by the mechanical parts of the machine.
	VISOR	<ul style="list-style-type: none"> • maintenance 	Protective face shield when working on electrical parts, especially with energy connected.

CAUTION: Machine noise levels are below the noise emission limit established by law so the use of hearing protectors is not compulsory. However, the operator must consider the operating environment: if it is very noisy, hearing protectors must be worn. If earmuffs are used, the operator must take even greater care when using the machine due the contingent reduction in hearing sensitivity. Observe the surrounding environment carefully and use your eyes to compensate for your reduced hearing.



D GENERAL DESCRIPTION

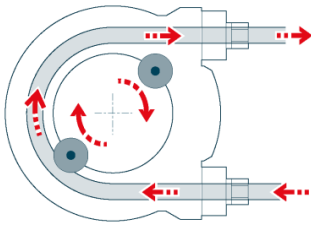
The peristaltic pump can be composed of the following elements (indicative image):



D.1 OPERATING PRINCIPLES

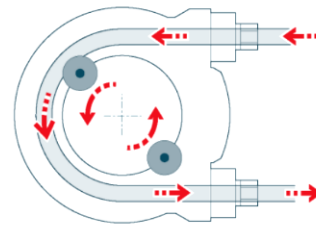
The tubular element in the peristaltic pump is progressively compressed by the rollers; the alternation between compression and relaxation of the hose generates a continuous suction flow (downstream of the roller) and delivery flow (upstream of the roller).

Dry running (pump empty) does not cause damage.



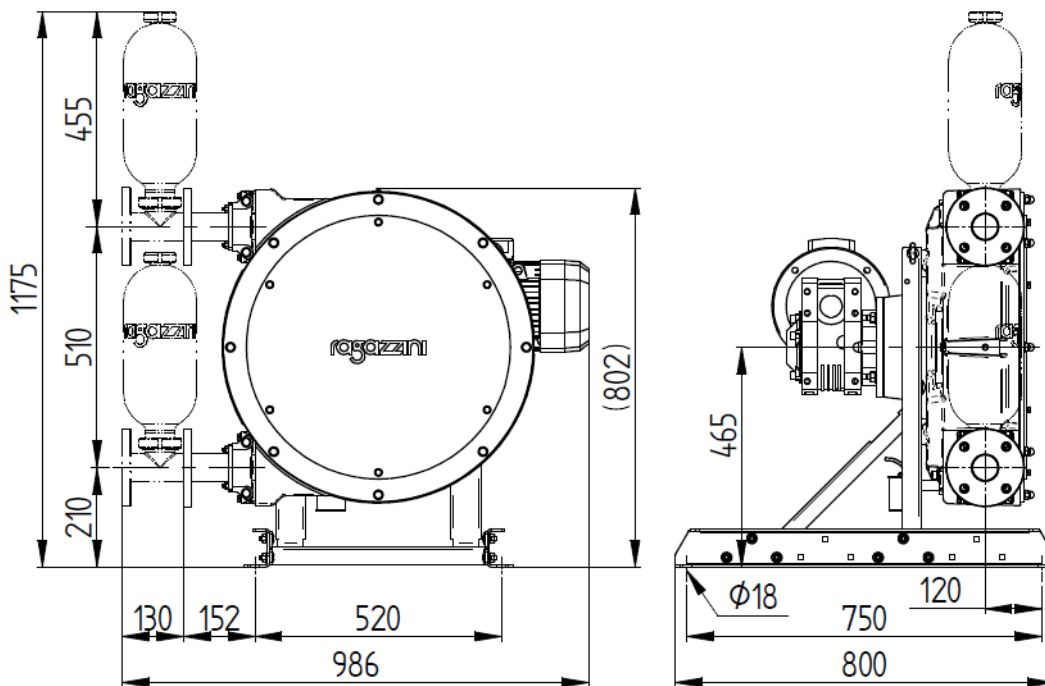
Pump operation is reversible

The flow rate is proportional to the motor rpm

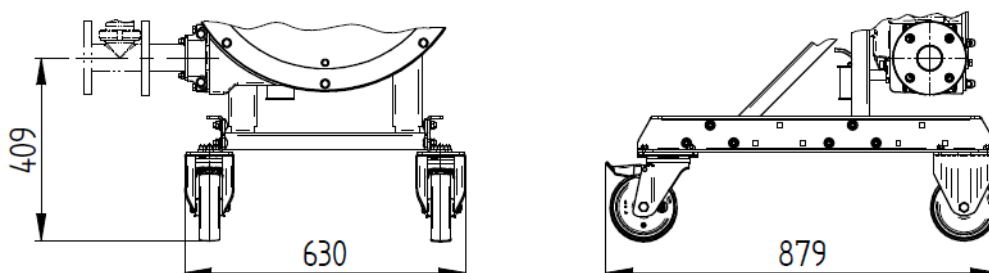


D.2 SIZES AND DIMENSIONS

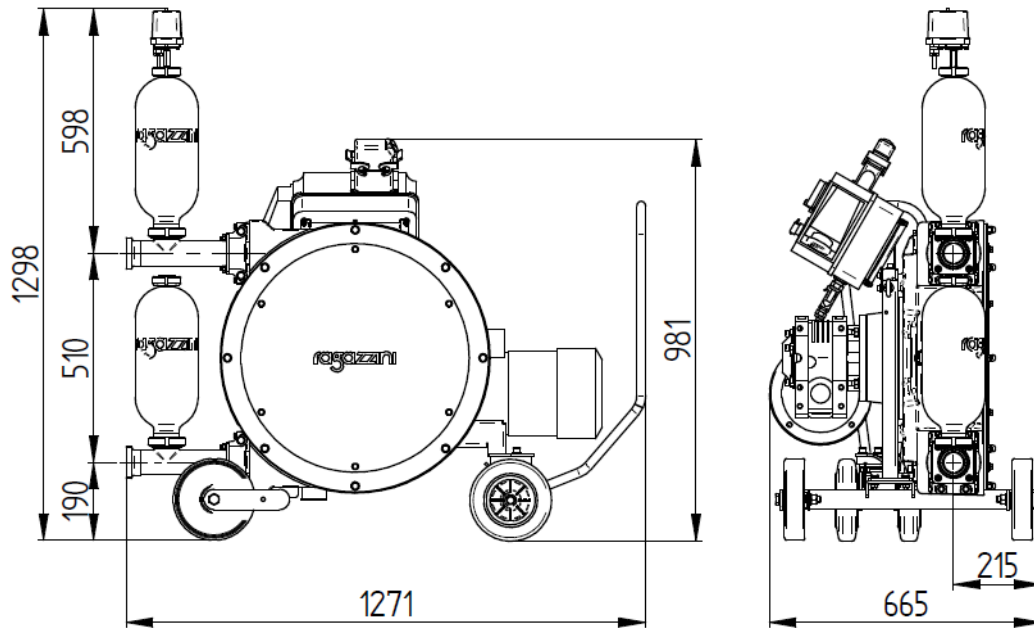
D.2.1 FIXED INSTALLATION



Detail of wheels for fixed installation version (optional configuration):



D.2.2 TROLLEY-MOUNTED INSTALLATION



The images above are purely indicative, for further details or references to dimensions for specific configurations, please contact the Ragazzini S.r.l. technical assistance service.


E TRANSPORT - STORAGE - LIFTING

E.1 GENERAL WARNINGS


The operator responsible for transporting, lifting and storing the machine must:


- Be adequately trained and informed in relation to the job in hand;
- Use the personal protective devices listed in the following heading (see heading E.2);
- Use suitable equipment to perform the operations in conditions of safety and check that the equipment in question is in perfect working order;
- Use all the service equipment as prescribed by the related manufacturers.


Before handling the machine, check the load capacity and good working order of the lifting equipment:

<p>DANGER: To lift the machine or parts of the machine, use lifting equipment of minimum load capacity in relation to the stated weight of the machine (See document "CHARACTERISTIC DATA - MACHINE CONFIGURATION" attached to the pump documents).</p>	
--	---

Perform lifting and transport operations taking account of the following warnings:





<p>DANGER - SUSPENDED LOADS: When lifting the machine makes sure there are no exposed persons in the area occupied by the machine and in the immediately surrounding areas. The machine must be lifted smoothly without any abrupt movements. During lifting and transporting operations the machine must always be kept in a safe and stable position. Keep the load as close to the ground as possible when moving it to achieve optimal conditions of stability.</p>	
--	---

<p>During lifting avoid abrupt movements that could damage the machine.</p>	
---	---

<p>WARNING: All machine handling operations must be carried out in a non-explosive atmosphere.</p>	
---	---

E.2 PERSONAL PROTECTIVE EQUIPMENT

The operator responsible for the pump transport, lifting and storage operations must use the following personal protective equipment:

Icon	Description	Notes
	FOOTWEAR	Use safety footwear to protect against the risk of falling objects.
	PROTECTIVE GLOVES	Safety gloves must be available for handling objects that could cause hand injuries.
	HARD HAT	A hard hat must be worn during machine lifting operations to protect against hazards generated by suspended loads.
	SUITABLE CLOTHING	Suitable clothing such as overalls. Do not wear clothing with loose sleeves and/or other loose items which could easily be drawn in by the mechanical parts of the machine.

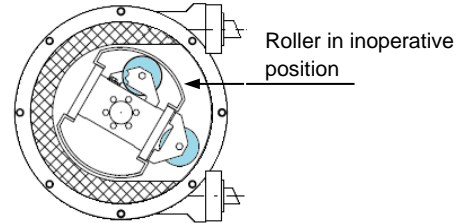
E.3 TRANSPORT

The pump must be handled by means of suitable mechanical lifting equipment.
The pump is protected by pack consisting of a solid base (pallet) and a cardboard case.

The packing materials are recyclable.

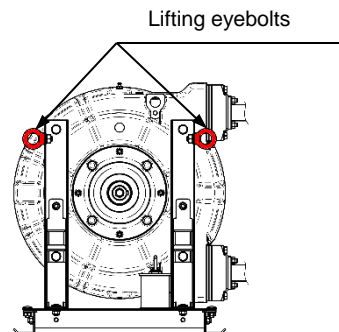


During transportation the pump is in its rest condition in order to protect the condition of the tubular element



E.4 LIFTING AND HANDLING

To lift the pump, where necessary, use the eyebolts with which it is equipped.



The machine must be lifted by means of an overhead travelling crane or a jib crane.

E.5 STORAGE

The pump must be in set in its inactive position in order to maintain the working life of the tubular element.
Avoid outdoor sites, sites exposed to the weather or excessively humid sites.
For storage periods exceeding 60 days, protect any mating surfaces (gearbox or motor flanges) with suitable antioxidant products.


<p>Spare tubular elements must be stored in a dry place and protected from the light.</p>	
---	--

F INSTALLATION

F.1 GENERAL WARNINGS





The machine installation operator must:

- Be adequately trained and informed in relation to the job in hand;
- Use the personal protective devices listed in heading F.2;
- Use suitable equipment to perform the operations safely and check that the equipment in question is in perfect working order;
- Use all the servicing tools prescribed by the related manufacturers.

WARNING: All machine maintenance must be carried out in a non-explosive atmosphere. 

F.2 PERSONAL PROTECTIVE EQUIPMENT

The pump maintenance operator must use the following personal protective equipment:

Icon	Description	Notes
	FOOTWEAR	Use safety footwear to protect against the risk of falling objects.
	PROTECTIVE GLOVES	Safety gloves must be available for handling objects that could cause hand injuries.
	HARD HAT	A hard hat must be worn during machine lifting operations to protect against hazards generated by suspended loads.
	SUITABLE CLOTHING	Suitable clothing such as overalls. Do not wear clothing with loose sleeves and/or other loose items which could easily be drawn in by the mechanical parts of the machine.


F.3 OPERATING AND MAINTENANCE CLEARANCES

The place in which the machine is to be installed must be well lit and ventilated, distant from heat sources, and able to ensure proper operation of the machine, considering especially access to the commands and access for maintenance activities.

The surrounding free space must be 500 ÷ 800 mm.

Install the pump on anti-vibration mounts to reduce vibration.

If the pump must be positioned outdoors, it must be protected from direct sunlight and the weather.

DANGER: The machine is not equipped with lightning protection and must therefore be installed in protected environments. 

F.4 PRE-INSTALLATION CHECKS

Once removed from the packing, check the machine for surface abrasion or damaged parts.
 The materials that make up the packaging are recyclable.
 Check that the mains voltage is commensurate with the motor input voltage.
 Check the diameter of the fittings to be connected to the pump.



HIGH TEMPERATURES HAZARD: Make sure the type of tubular element installed is suitable for the intended use. If the pumped fluid constant temperature exceeds 60°C, the pump casing can reach dangerous temperatures for direct contact: install suitable warning signs and shielding.



F.5 ELECTRICAL CONNECTION

F.5.1 CONFIGURATION WITHOUT ELECTRICAL PANEL

The electrical control panel and the connecting cables must be in compliance with the applicable regulations (see also paragraph L.1).

The electrical panel must be suitably configured for:

- Reversal of the direction of rotation;
- Control of the electrical components.

If the control panel is in a remote position, install a start pushbutton and a stop/emergency stop pushbutton in the immediate vicinity of the machine. No means shall be provided to disable said controls from the electrical panel to be used for maintenance purposes.

DANGER: If the machine is not supplied in the configuration with an electrical panel, it is the client's responsibility to equip it with an emergency stop pushbutton.



Install a power supply disconnect device in the fixed wiring circuit. The disconnect device must be padlockable in the open (disconnected) position.

ELECTROCUTION HAZARD: During maintenance operations on the pump or for operations carried out on the electrical components the machine must be at a standstill and disconnected from the electrical power supply.



F.5.2 OPTIONAL CONFIGURATION WITH ELECTRICAL PANEL

For correct operation of the machine, these operations must be performed on completion of machine positioning and fixing.

Electrical power supply connection

The machine must be connected to the mains supply by a licensed electrician in compliance with the technical standards and safety regulations force (see also paragraph L.1).

The machine must be connected to a protected earth circuit of proven efficiency.

If in doubt concerning efficiency of the protective earth circuit, do not connect the machine.

The user must install an adequate disconnect switch on the machine power feeding line and shall also install efficient surge current and indirect contact protective devices.

Efficient surge current protections include the following elements (correctly sized and adapted to the characteristics of use):

- Fuses,
- Automatic cut-outs,
- Circuit breakers.

Efficient indirect contact protections include:

- Residual current devices,
- Fault sensors.

When hooking up the machine check:

- That the data of the power supply network correspond to the electrical data indicated in the wiring diagram attached to the machine (an incorrect power supply voltage can damage the machine);
- That the mains power supply is adequately earthed;

The correct positioning and fastening of:

- Guards,
- Microswitches,
- Emergency stop pushbutton.

Hook up the machine electrical panel using suitable cables in relation to machine input current.

Use suitable connection accessories (cable lugs, screws, etc.) in relation to the conductor to be connected and the input current; said devices must be assembled in accordance with the manufacturer's instructions and observing best technical practices.

Use wiring accessories (sheaths, junction boxes, etc.) able to maintain the electrical panel IP protection rating.

For the description of the commands, refer to the attached documentation.

F.6 CONNECTION TO THE PRODUCT RECEPTION SYSTEM

SUCTION: the pump must be positioned as close as possible to the fluid source, in order to use a suction pipe of minimum length and as straight as possible. Avoid tight turns.

The suction pipe must be airtight and of construction material able to withstand the internal pressure. The minimum pipe diameter must be identical to the diameter of the tubular element. When pumping viscous fluids use larger diameters.



The pump is self-priming and does not therefore require a foot valve.

DELIVERY: to reduce machine power consumption use the shortest and straightest possible pipelines. Avoid tight turns. The diameter shall be identical to the pump nominal diameter, unless specific pressure drop calculations require otherwise. Use pipes with larger diameters to pump viscous fluids

Connect fixed pipes to the pump via a flexible hose in order to facilitate maintenance and avoid the transmission of mechanical loads to the pump. The pipes must be securely fastened down.



The pump has a slight pulse flow, with higher pulsations as rpm and pressure values are increased.

Adapt the brackets to your system to prevent the pulsations from causing damage to the pipelines or cause disturbance of downstream services.

The pump must be securely mounted to a fixed structure using the fixing holes in the skid.

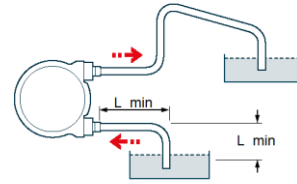
Install the pump on anti-vibration mounts to reduce vibration.

F.7 PIPES – CORRECT INSTALLATION

F.7.1 FLUID PRODUCTS

Position the pump at the minimum possible distance from the suction tank (inlet).

Arrange the delivery pipeline (outlet) at an angle to facilitate discharge of the pumped fluid.

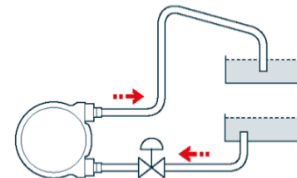


F.7.2 VISCOUS PRODUCTS

Set up the pump in flooded suction conditions.

We recommend fitting a safety device that trips in the event of tubular element rupture.

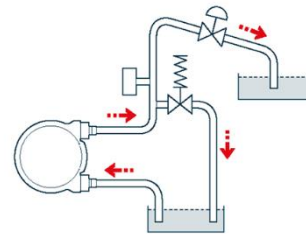
For pumping of corrosive or hazardous substances the pump should be installed in a spill containment berm.



F.7.3 OVERPRESSURE

If the delivery pipe includes shut-off valves, install a pressure control system or a bypass line to protect the pump if the valves are inadvertently closed.

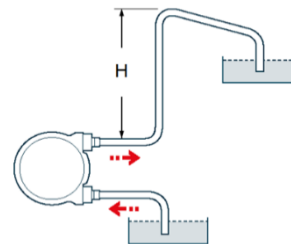
The same hazard may exist on the suction pipe in the event of pump reverse rotation.



F.7.4 PUMP STOPPED

If the height of the delivery pipe is greater than 4 m, it may occur that the weight of the fluid in the pipe causes the pump roller to rotate in reverse, causing backflow towards the suction side.

This situation can be avoided by the use of brake motors, speed variators and check valves.



G INSTRUCTIONS FOR COMMISSIONING - USE - SHUT-DOWNS

G.1 GENERAL WARNINGS FOR ROUTINE MACHINE OPERATION

The operator must:

- Be trained and instructed as required by laws concerning safety in the workplace – legislative decree 81/2008 in Italy;
- Be in perfect mental and physical condition and be alert and with quick reflexes at all times;
- Use the personal protective equipment listed in the following heading (G.2);
- Before starting work with the machine, perform all the checks listed in the following heading to ensure that all the necessary safety conditions are present to prevent accidents.

The operator must not:

- Tamper with or alter the operation or efficiency of the protection devices installed on the machine.

G.1.1 Checks and inspections for safe use of the machine

The operator must check:

- That the machine has not been tampered with. if the machine has been tampered with remove it from service and notify the supervisor immediately;
- The general condition of the machine and its structures: must not be damaged or display conditions of evident negligence, especially in relation to ageing, wear and fatigue;
- That the machine bears all the icons and warning signs required, as shown in the chapter entitled “safe interaction with the machine”;
- That all the control devices are equipped with identification plates.

WARNING:
If the machine is damaged or has been modified with respect to its original configuration as established by the manufacturer, it must not be used.
Any technical alterations/modifications that affect machine operation or safety must be carried out exclusively by the manufacturer’s technical personnel or by technicians formally authorised by the manufacturer.






WARNING:
The preliminary checks must be performed with the machine NOT connected to the electrical supply.



G.2 PERSONAL PROTECTIVE EQUIPMENT

The operator responsible for normal operation of the pump must use the following personal protective equipment:

Icon	Description	Notes
	FOOTWEAR	Use safety footwear to protect against the risk of falling objects.
	PROTECTIVE GLOVES	Safety gloves must be available for handling objects that could cause hand injuries.
	SUITABLE CLOTHING	Suitable clothing such as overalls. Do not wear clothing with loose sleeves and/or other loose items which could easily be drawn in by the mechanical parts of the machine.

CAUTION: Machine noise levels are below the noise emission limit established by law so the use of hearing protectors is not compulsory. However, the operator must consider the operating environment: if it is very noisy, hearing protectors must be worn. If earmuffs are used, the operator must take even greater care when using the machine due the contingent reduction in hearing sensitivity. Observe the surrounding environment carefully and use your eyes to compensate for your reduced hearing.



G.3 EMERGENCY STOP

If, while operating the machine, dangerous situations should occur:

- For the operator;
- For any exposed persons;
- For the machine,

Stop the machine immediately by means of the red emergency stop pushbutton located on the main control panel.

DANGER: If the machine is not supplied in the configuration with electrical panel, it is the client's responsibility to equip it with an emergency stop pushbutton.



G.3.1 Reset after an emergency stop

Once the problem that made the emergency stop necessary has been resolved, proceed as follows:

- Reset the emergency stop pushbutton pressed by turning it in the direction indicated by the arrow on the button.
- Restore the safety conditions needed to restart the machine;
- After checking for the absence of hazardous situations, the authorised operator can resume use of the machine.

G.4 START-UP

Before starting the pump, make sure that:

- The tubular element used is appropriate for the fluid to be pumped.
- The mains voltage is compatible with the motor voltage and the electrical control panel voltage.

MOVING PARTS HAZARD



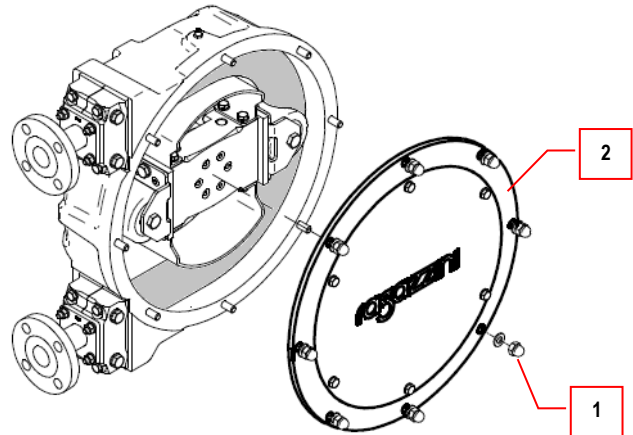
- Make sure the guards protecting moving parts are fitted.
- Check that the oil level in the gearbox is the one established (see paragraph L.3).
- Make sure the motor circuit breaker is calibrated in accordance with the motor rated values.
- Perform a short test to check the required direction of rotation;
- Check that any optional electrical components installed are correctly connected to the panel and test their efficiency.
- If delivery pressure is uncertain, e.g. because of high fluid viscosity, equip the delivery pipeline with a manometer.

G.5 USE – START-UP (ROLLER IN WORKING POSITION)

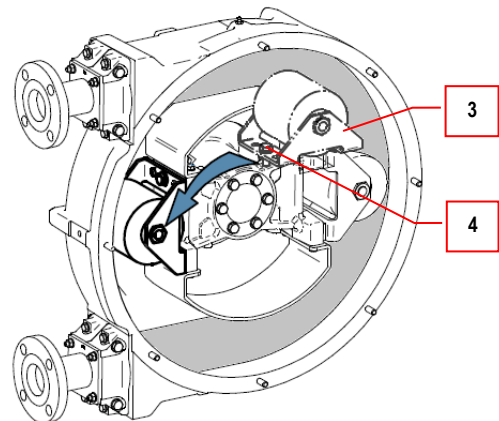
The pump is shipped with the roller in the **inoperative position** and is therefore not ready for use.

To set the roller to the **working position**:

- Turn the rotor and position it as shown in figure
- Disconnect the electrical supply;
- Unscrew nuts (1) and disassemble guide ring (2);




- Remove support + roller (3) by undoing screws (4) and use the same screws to fix the assembly to the holes in the rotor;
- Refit guide ring (2);
- Supply voltage;
- The pump is now ready for use.




- Start the pump in the most favourable conditions: valves open and minimum speed, if adjustable.
- Perform some starts and stops and make sure that the controls properly work and that the system is liquid-tight.
- If the pump can be operated against closed valves, test the related safeties (pressure switch or bypass).
- Make sure the flow rate, pressure and motor power consumption values in the working conditions are in compliance with the design values.



G.5.1 ACTIONS TO BE AVOIDED

<p>WARNING:</p> <ul style="list-style-type: none"> Do not change the process fluid without cleaning the pump: mixing chemical products can be very dangerous. When the work process is terminated do not leave the pump full of product, especially in the case of corrosive fluids or fluids that may deposit residues, polymerize or with the risk of frost, or which may strain the mechanics at the next start, or attack the tubular element. In case of insufficient motor power, do not increase the protection settings in excess of the rated limits. Check system data and contact technical service if necessary. 	
--	---

<p>HAZARD: When cleaning the pump with water jets, do not direct the jet on the motor or electrical equipment. Such non-compliance can cause danger of electrocution as well as damage to the electrical equipment itself.</p>	
---	---

G.6 SHUT-DOWN

G.6.1 Stopping the pump

The flow is stopped by stopping the motor. The pump functions as a shut-off valve because of the compression of the tubular element, except when the delivery height exceeds 4m, in which case the weight of fluid may cause the rollers to rotate in reverse resulting in the fluid returning to the suction pipe.

G.6.2 Draining the pump

Run the pump towards the drainage position on the pipelines by reversing the direction of rotation. Where there is a risk of frost, drain at the end of each work.

G.6.3 Flushing the pipes

Flush the pipelines and tubular element using fluids that are compatible with the tubular element material.

G.6.4 Prolonged stops

For prolonged stops:

- Perform drainage.
- The roller must be in its inoperative position to avoid damage to the tubular element.

G.7 COMPLIANCE WITH HYGIENE REQUIREMENTS

To satisfy the hygiene requirements (in case of pumping of food fluids) it is necessary to perform the following procedures.

G.7.1 Drainage

To drain, see the paragraph G.6.2.

G.7.2 Cleaning


The pump must be cleaned:


- Before using the pump itself.
- At the end of the work cycle.
- At the end of each maintenance activity performed on the pump.

The pump must be cleaned using water at 70 °C and a 5% detergent solution; carry out rinsing using cold water.

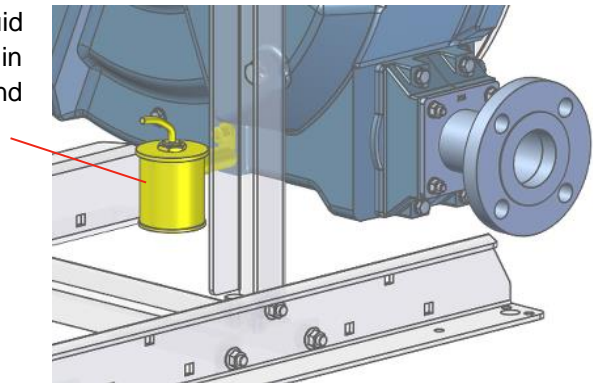
G.8 RESIDUAL RISKS

G.8.1 Use with food fluids

<p>WARNING: Compliance of the pump for use with food fluids is retained as long as it is used with specifically designated food grade tubular elements (see instructions in paragraph O.3 <i>Tubular element selection guide</i>), with stainless steel fittings and adequate cleaning procedures (see the information in paragraph G.7 <i>Compliance with hygiene requirements</i>). Failure to comply with the above prescription results in hazards for food type applications.</p>	
---	---

<p>WARNING: If the fluid is dangerous in terms of corrosion or fumes, take adequate precautions, namely:</p> <ul style="list-style-type: none"> • Spill containment berm (in case of flooded suction and/or very long delivery pipelines) • Adequate air extraction or ventilation (for fluids that may release toxic or harmful fumes) 	
--	---

Rupture of the tubular element will cause leakage of fluid towards the well in which the safety float sensor is fitted; in this case the float sensor will trip to stop the pump and prevent external spills.



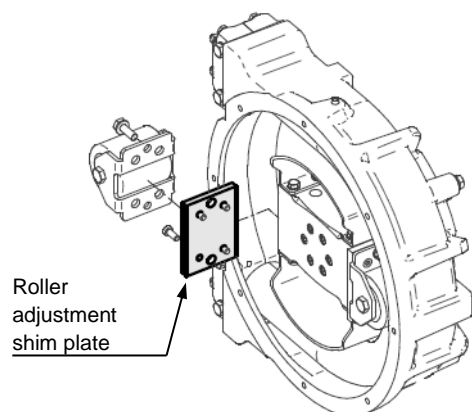
G.9 CONFIGURATION

The pump provides delivery pressure due to compression of the tubular element by rollers, whose efficiency can be adjusted by means of shim plates.

The pump is shipped with one of three configurations:

- "4" for working pressures below 4 bar;
- "8" for working pressures of 4 bar or higher;
- "12" for working pressures up to 15 bar.

The operating adjustment is established at the time of assembly of the pump and each subsequent change must be authorised by Ragazzini S.r.l. technical personnel.




H TROUBLESHOOTING


PROBLEMS	CAUSES	SOLUTIONS
PUMP DOES NOT PRIME	The pump has been idle for a prolonged period and the procedure recommended in F6 was not carried out beforehand	Leave pump running. After a short period it will prime correctly again. If the problem occurs when drawing fluid from an underground tank, prime the pump from an above ground tank
	The suction hose is crushed or clogged or it has a detached internal layer	In addition to meeting the requirements given in F6, the suction line must be equipped with a rigid fitting on the foot to guarantee complete opening
POOR EFFICIENCY	Air entering the suction line	Check pipe seals and possible pipe ruptures
	Excessively long suction pipeline	Comply with the indications given in F6 as far as possible
	High percentage of gas in the pumped liquid	Contact technical service
	Excessively worn tubular element	Perform periodic checks and replace the tubular element if necessary
VIBRATION OF PIPES	Insufficient air cushion in the pulsation dampeners	let it suck in air for a short time
	Restrictions in the suction pipeline	Comply with the indications given in F6 as far as possible Contact technical service
MOTOR OVERHEATING check the power draw on the three phases and compare with the motor rated values	The plant load is too high for the machine motor power	Contact technical service
	Electrical cables too long or insufficient conductor cross section	Contact an electrician
	Mains voltage drop or phase imbalance	Contact an electrician Consult the electricity supplier
	Insufficient ventilation	Check that the space around the motor is suitable for proper ventilation, free from dirt and foreign bodies. Check the fan.
NOISE AND KNOCKING FROM INSIDE THE PUMP	Excessive suction head	Comply with the indications given in F6 as far as possible Contact technical service
	Restrictions in the pipes	
	Insufficient pipe diameter	


For any problems not appearing above, contact the Ragazzini S.r.l. technical assistance service.

I MAINTENANCE

I.1 GENERAL WARNINGS

<p>WARNING: Maintenance technicians must carry out exclusively the maintenance operations described in this chapter. The supervisors and machine maintenance operators personnel must comply with the prescriptions issued by the Safety Authorities and must also perform all the operations listed in this chapter.</p>	
--	---

<p>NOTE: All the information on maintenance concerns solely and exclusively routine maintenance with interventions aimed at ensuring correct daily operation of the machine. If extraordinary maintenance operations are required, the specific point in the manual will instruct users to contact Ragazzini S.r.l., which will provide specific information.</p>	
--	---

<p>WARNING: Machine maintenance operations must be carried out in a non-explosive atmosphere.</p>	
--	---


- The operations for machine set-up and adjustments are performed by one person only under the supervision of the maintenance supervisor.
- Untrained or unauthorised personnel must not enter the machine work area when maintenance is in progress.
- Maintenance operations must be carried out in adequate lighting conditions; in the case of maintenance work to be carried out in areas with insufficient lighting, use portable worklights, taking care to avoid areas of shadow that prevent or reduce visibility of the point in which the work must be performed and the surrounding areas.


I.2 Precautions and warnings when preparing the machine for routine maintenance.

The maintenance technician must:

- Be aware that these operations may be associated with hazards.
- Comply with all the warnings shown on the machine, on the diagrams, in this document and in the attached documentation to avoid faults that in turn could directly or indirectly cause serious accidents, injury to persons or damage to property.
- Use the personal protective equipment described in the following paragraph.
- Avoid physical contact with moving parts of the machine.






The operator must also take into account the following:

<p>ELECTROCUTION HAZARD: Maintenance operations that require the presence of electrical power, such fault finding in the electrical panel, must be performed solely and exclusively by expert personnel following the safety procedures in force on the premises in which the machine is installed..</p>	
---	---

<p>WARNING: Any technical alterations/modifications that affect machine operation or safety must be carried out exclusively by the manufacturer's technical personnel or by technicians formally authorised by the manufacturer. Failure to observe this recommendation exonerates Ragazzini S.r.l. from all responsibility concerning the alterations or for any consequent damage. The guards and safety devices may be fully or partly removed during maintenance operations by expert and/or authorised personnel who must ensure that all removed safety devices/guards are duly refitted in their original position as soon as maintenance operations have been completed. The machine must not be started up after maintenance operations have been performed until the guards and other safety protections have been refitted.</p>	
---	---

I.3 PERSONAL PROTECTIVE EQUIPMENT

The pump maintenance operator must use the following personal protective equipment:

Icon	Description	Notes
	FOOTWEAR	Use safety footwear to protect against the risks of falling objects.
	PROTECTIVE GLOVES	Safety gloves must be available for handling objects that could cause hand injuries.
	HARD HAT	A hard hat must be worn during machine lifting operations to protect against hazards generated by suspended loads.
	SUITABLE CLOTHING	Suitable clothing such as overalls. Do not wear clothing with loose sleeves and/or other loose items which could easily be drawn in by the mechanical parts of the machine.
	PROTECTIVE VISOR	Protective face shield when working on electrical parts, especially when live

CAUTION: Machine noise levels are below the noise emission limit established by law so the use of hearing protectors is not compulsory. However, the operator must consider the operating environment: if it is very noisy, hearing protectors must be worn. If earmuffs are used, the operator must take even greater care when using the machine due the contingent reduction in hearing sensitivity. Observe the surrounding environment carefully and use your eyes to compensate for your reduced hearing.



I.4 PROCEDURES FOR PLACING THE MACHINE IN MAINTENANCE STATUS

Proceed as follows:

- Complete the work cycle in progress.
- Stop the machine.
- Disconnect the electrical supply.
- cordon off the machine and display a sign to the effect “MAINTENANCE IN PROGRESS” in a clearly visible position.

WARNING:
Any maintenance work performed on the pump must be carried out with the machine stopped and disconnected from the electrical supply.



WARNING: NO ACCESS TO UNAUTHORISED PERSONS
Do not allow unauthorised persons to approach the machine when maintenance is in progress. Affix warning notices next to the disconnects to inform personnel that the machine is stopped for maintenance, in order to limit the risk of accidental and hazardous manoeuvres.



I.5 NORMAL WEAR PARTS

The only component subject to wear due to routine maintenance is the tubular element. It must therefore be replaced periodically.

WARNING:

Before opening the pump, make sure the pipeline is empty. The pressure exerted by the fluid on the tubular element could cause the rotor to turn, thus putting the operator at risk.

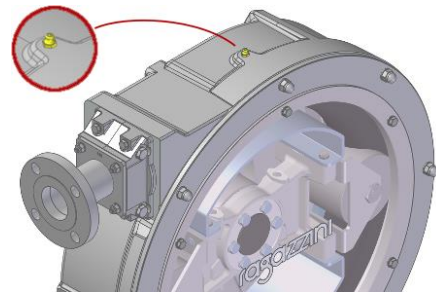


When there is a decrease in pump performance (wear index of this internal component), it must be checked.

I.6 LUBRICATION

The tubular element is already lubricated with silicone grease when it is initially installed.

Periodically, every 100 working hours, check that the stator wall supporting the tubular element is adequately lubricated. Inject a small amount of grease ~ 10 grams through the grease nipple.



WARNING

Use exclusively silicone grease **Rotho**. Other greases can damage the tubular element



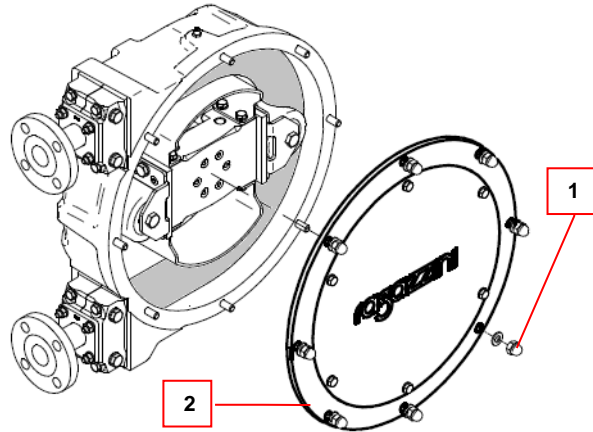
I.7 TUBULAR ELEMENT REPLACEMENT

WARNING:

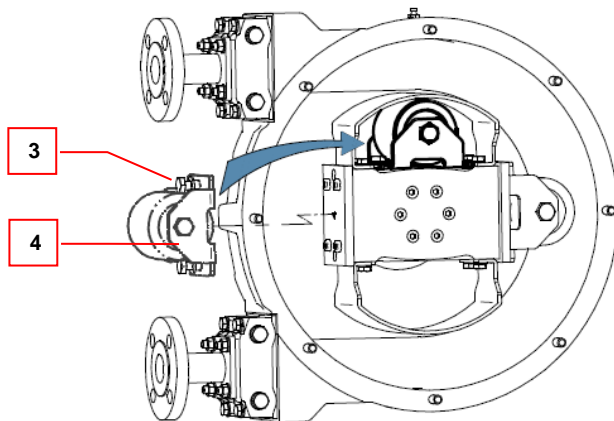
- Before opening the pump, make sure the pipeline is empty.
- The pressure exerted by any fluid in the pipeline could cause the rotor to turn, thus putting the operator at risk.



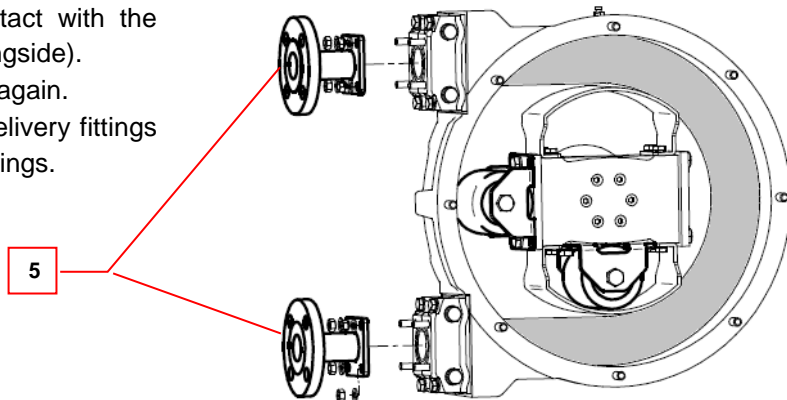
- Turn the rotor until one of the rollers is no longer in contact with the tubular element (see figure).
- Disconnect the electrical supply.
- Dismantle the connection fittings on the suction and delivery pipes.
- Unscrew the nuts (1) and disassemble the external guide ring (2).



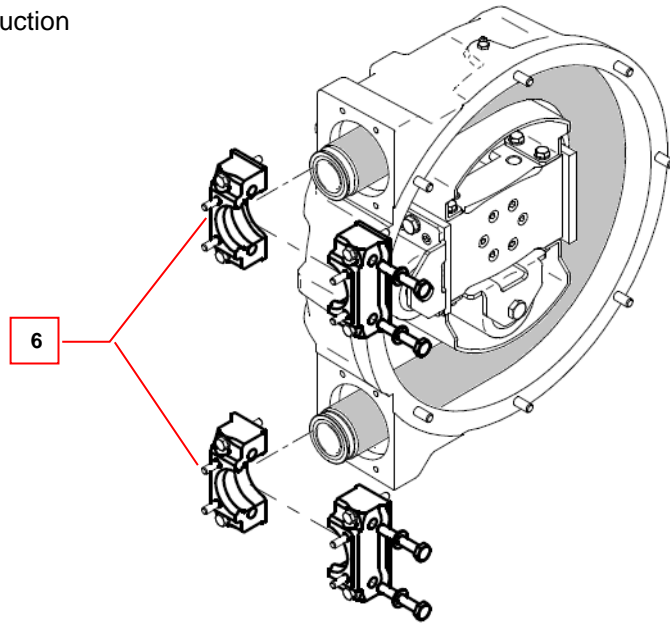
- Undo the screws (3) and remove the support + roller (4).
- Put the support + roller in rest position.



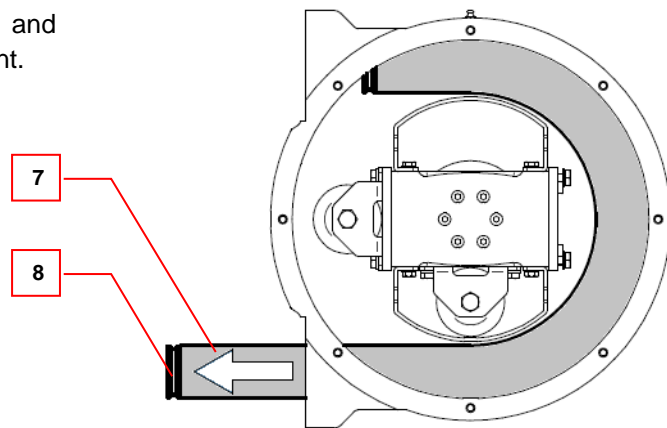
- Apply power momentarily to turn rotor until the roller is no longer in contact with the tubular element (see figure alongside).
- Disconnect power supply once again.
- Remove the suction and the delivery fittings (5), taking care to retain the O-rings.



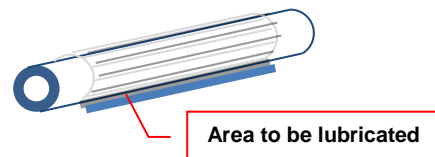
- Open and disassemble the brackets (6) that fix the tubular element both on the suction side and on the delivery one.



- Remove the tubular element (7) from the stator. Remove the fitting inserts (8) and assemble them on the new tubular element.



- Lubricate the contact area of the new tubular element and assemble it on the stator by performing the above steps in reverse sequence.



I.8 TUBULAR ELEMENT RUPTURE DETECTION SENSOR

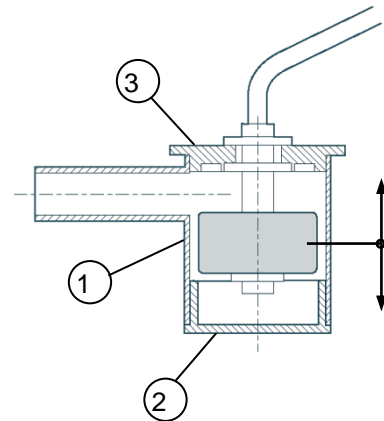
This is a safety system comprising a float sensor that trips to stop the pump if the tubular element ruptures resulting in internal leakage of the fluid.

The sensor must be connected to an electrical panel as per the diagram given below in point I.8.2.

This device is maintenance free, but a check should be performed periodically to ensure the float is free moving.

The sensor is fixed to cover (3).

The unit can be emptied of liquid by removing plug (2) located under support (1).

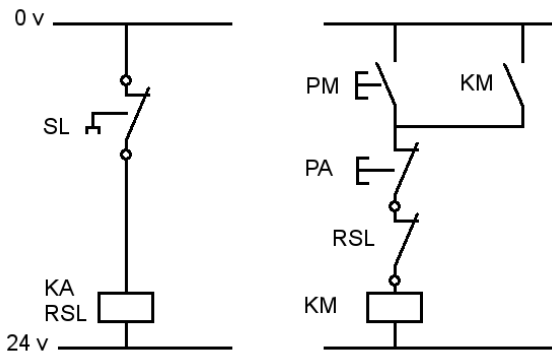


I.8.1 Technical data

Minimum specific weight detectable	0.65 kg /l
Output function	NC
	NO by overturning the float
Contact ratings	250 V; 2.5 A; 100 VA
Tank	non-toxic polypropylene
Protection rating (EN 60-259-)	IP 68
Working temperature	-25 ... +100°C
Electrical output cable	silicone AWG20

I.8.2 Electrical connections (typical wiring diagram)


Tripping of the sensor causes the machine to stop. The system can be restarted only with an operator command.



SL	level sensor
KA	auxiliary circuits relay coil
RSL	auxiliary circuits relay contact
KM	contactor coil
PM	start button
PA	stop button

I.8.3 ATEX version

Refer to the documentation in the documents folder attached to the machine.

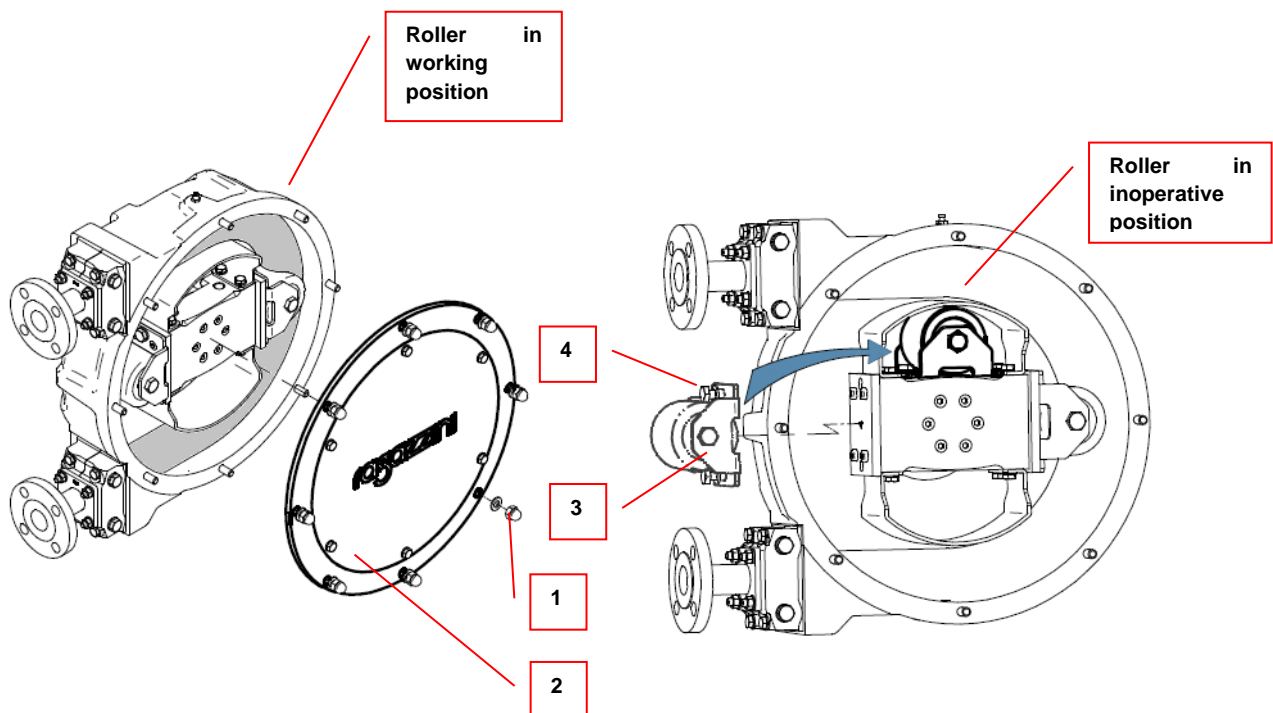


I.9 PROLONGED DISUSE

If the machine remains out of use for more than one month, in order to extend the life of the tubular element it must not remain be compressed by the roller to no effect.

For this purpose, the roller must be set to its inoperative position:

- Turn the rotor until one of the rollers is no longer in contact with the tubular element;
- Disconnect the electrical supply;
- Unscrew nuts (1) and remove guide ring (2);
- Disassemble support + roller (3) by undoing screws (4); use the same screws to fix the assembly in the holes located at the side of the rotor;
- Refit the guide ring;
- Reconnect the power supply;
- Turn the rotor until one of the rollers is no longer in contact with the tubular element.



I.10 COMPONENTS MAINTENANCE – MS PUMP ATEX VERSION

DANGER: Maintenance procedures must be performed in the absence of potentially explosive atmospheres.



A periodic cleaning plan must be drawn up to avoid the potentially hazardous accumulation of dust on the casing, which generates dangerous layers greater than 1 mm.

The bearings of the rollers and the rotor must be renewed every 20000 hours of operation or at the minimum sign of damage. The lubricant used must have an ignition temperature of 50 K above the maximum surface temperature of the pump, indicated on the plate. For details of the specific procedure, consult the Ragazzini S.r.l. engineering department.

It is mandatory to re-paint any external metal parts of the equipment that have lost their protective paint coating through time. Use paint containing less than 25% by weight of aluminium with a maximum dry film thickness of 0,2 mm.

- If the level sensor (ATEX certified for gas and dust in category 1 or 2) is to be replaced, a new sensor having the same characteristics must be installed.
- If the pressure switch (ATEX certified for gas and dust in category 1 or 2) is to be replaced, a new pressure switch having the same characteristics must be installed.
- If the electrical panel (ATEX certified for gas and dust in category 1 or 2) is to be replaced, a new electrical panel having the same characteristics must be installed.
- If the gear unit (ATEX certified for gas and dust in category 1 or 2) is to be replaced, a new gear unit having the same characteristics must be installed.
- If the variator (ATEX certified for gas and dust in category 1 or 2) is to be replaced, a new variator having the same characteristics must be installed.
- If the electric motor (ATEX certified for gas and dust in category 1 or 2) is to be replaced, a new motor having the same characteristics must be installed.
- If the microswitch (ATEX certified for gas and dust in category 1 or 2) is to be replaced, a new microswitch having the same characteristics must be installed.
- If the suction hose is to be replaced, use exclusively Ragazzini S.r.l. original replacement parts. These components guarantee resistivity values below 1GΩ.
- If the wheels must be replaced (ATEX certified in category 1 or 2), new wheels with the same characteristics must be installed.

J SPARE PARTS

J.1 HOW TO ORDER SPARE PARTS

To avoid misunderstandings and/or shipment of parts that are unsuitable for the intended purpose, include the following identification data when requesting original replacement parts:

- Pump model.
- Pump serial number.
- Article code.
- Article description.
- Quantity.
- Type of shipment required.

The identification dataplate shown here is affixed to the pump.

The information on the dataplate is necessary for identification of the pump.

- A. Pump model.
- B. Serial number.
- C. CE conformity mark (present only when the pump is supplied with motor and control panel).



J.2 EXAMPLE ORDER


Pump model: MS_


Pump serial number: XXXXXX

Code	Description	Quantity
W060_ _ _ _ _	+ ROTHO ROLLER _ _ _	N° 1
A706_ _ _ _ _	ROLLER SUPPORT _ _ _	N° 1

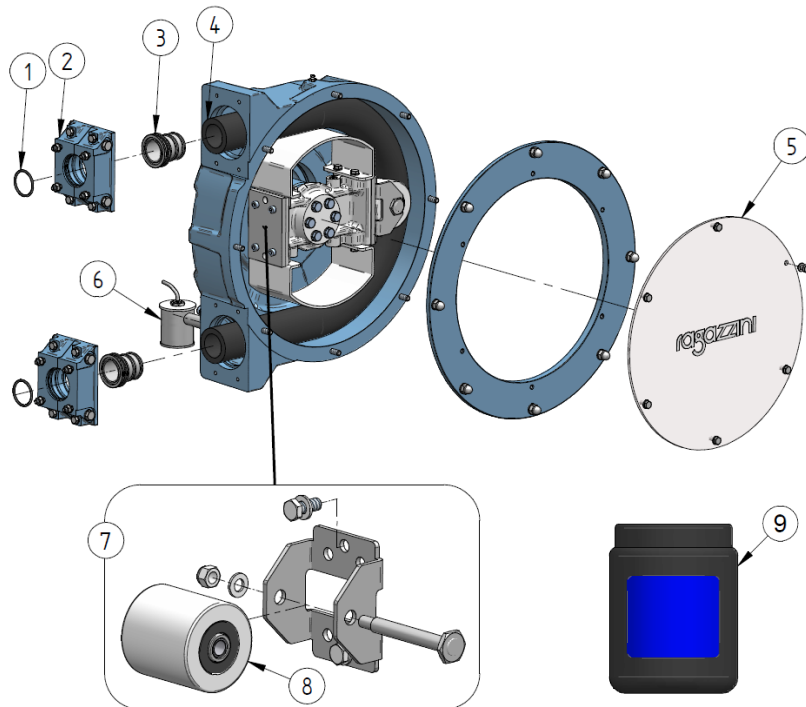
Type of shipment required: Shipping agent: YYYYYY

J.3 SPARE PARTS LIST

HAZARD: For pump spare parts in ATEX version refer to paragraph I.10 “COMPONENTS MAINTENANCE – MS PUMP ATEX VERSION”. 

The use of the pump is of fundamental importance for determining the construction material of the components. The optimal choice depends on several factors: chemical compatibility, working temperature, compatibility with food, fluid to be pumped and operating pressure. The following components are subject to variation depending on the application, contact the Technical Service :

- Tubular Element (see paragraph O.3)
- O-Ring
- Inserts
- Dampeners and connection fittings (see paragraph L).




Pos.	Description	ATEX		N.	Code
1	O-RING 170 NBR (**)		✓	2	GR0000170 (**)
2	MS2 BRACKET		✓	2	A5010575A
3	MS2 INSERT 316 SS (**)		✓	2	A2031769A (**)
4	MS2 TUBULAR ELEMENT (*)		✓	1	(*)
5	MS2 PLEXI COVER	x		1	A3000561A
6	+ MS1-2-3 PSF1-2 LEAK DETECTOR	x		1	W05105810
7	+ MS2 ROLLER + SUPPORT		✓	2	W06125020
8	+ MS2 ROLLER		✓	2	W06005731
9	SILICON GREASE -pack		✓	1	OB0010003

(*) See: “CHARACTERISTIC DATA - MACHINE CONFIGURATION” for the TYPE and PART NUMBER of the installed tubular element.


(**) Alternative:

Pos.	Description	ATEX		N.	Code
1	O-RING 170 EPDM		✓	2	GRE000170
3	MS2 INSERT PVC	x		2	A2031796A
3	MS2 INSERT PP	x		2	A2031795A
3	MS2 INSERT 316 SS/ETFE		✓	2	A2032544A
3	MS2 INSERT TITANIUM		✓	2	A2032114A

For parts that do not appear in the list, contact 


K SCRAPPING AND DISPOSAL

K.1 GENERAL WARNINGS CONCERNING SCRAPPING AND DISPOSAL OF THE MACHINE

WARNING: Execute machine scrapping operations in a non-explosive atmosphere. 





K.1.1 Special and hazardous waste

- Special waste means residues deriving from industrial processes, materials from scrapped machines or deteriorated and obsolete equipment.
- Hazardous waste is waste generated by production activities and containing a significant quantity of pollutants.

WARNING: Disposal of special waste and hazardous waste must be carried out in compliance with statutory legislation. In the case of Italy, comply with legislative decree 3/4/2006 no. 152, as amended by legislative decree 3/12/2010, no. 205 (provisions implementing directive 2008/98/EC). 

K.2 PERSONAL PROTECTIVE EQUIPMENT REQUIRED DURING MACHINE SCRAPPING AND DISPOSAL

The operator responsible for scrapping and disposal operations must use the following personal protective equipment:

Icon	Description	Notes
	FOOTWEAR	Use safety footwear to protect against the risk of falling objects.
	PROTECTIVE GLOVES	Safety gloves must be available for handling objects that could cause hand injuries.
	HARD HAT	A hard hat must be worn during machine lifting operations to protect against hazards generated by suspended loads.
	SUITABLE CLOTHING	Suitable clothing such as overalls. Do not wear clothing with loose sleeves and/or other loose items which could easily be drawn in by the mechanical parts of the machine.

K.3 DISMANTLING THE MACHINE

The qualified and authorised operator responsible for dismantling the machine must:

- Use the P.P.E. shown in the above heading (K.2) for all the required procedures.
- Create sufficient space around the machine to perform all movements without risks for persons.
- Open the machine energy supply isolating devices and lock them out in the OFF position.
- Disconnect the power feeding cable from the isolating device, disconnecting first the power conductors and then the protective earth conductor.
- Only after performing all the above activities, proceed to dismantle the machine, working from top down and paying special attention to machine parts/units that may fall when freed and all components that may contain product residues.

K.4 SORTING MATERIALS

After dismantling the machine in accordance with the above procedure, the various materials must be sorted by type:

- Remove the various machine parts from the work area, taking all the necessary precautions.
- Before lifting very large parts, check that the lifting devices are correctly secured and use exclusively adequate harnesses and lifting tackle.
- Sort the various components by type, as far as possible. The parts should be sorted according to material type (plastic, metal, etc.) and then discarded through sorted waste collection channels. The parts resulting from scrapping of the machine should be consigned to an authorised sorted waste disposal agency.

DANGER - SUSPENDED LOADS:

Pay the utmost attention when lifting parts of the machine during scrapping operations.



K.5 DISPOSING OF MACHINE MATERIALS AND PRODUCTS

The machine is made of non-hazardous materials, primarily stainless steel, iron, aluminium, cast iron, copper, plastic and rubber.

In particular, the body of models MS 0,1 and 2 is made of aluminium or cast iron with an external iron guide, while the body of model MS 3 is made of cast iron with an external aluminium guide.

These materials are not subject to degradation such as to constitute a risk for operators.

All electrical and electronic components are commercial parts sourced by Ragazzini s.r.l. and have already been certified in compliance with Directive 2011/65/EU (RoHS) by their manufacturers.

The materials used to protect the machine during transport must be recycled or discarded in compliance with statutory legislation in the destination country.



Pay attention to the recycling symbol:

Disposal must be entrusted to specialised collection agencies.

L PUMP OPTIONAL CONFIGURATIONS

Optional configurations and accessories available for the MS series peristaltic pump are as follows:

- Fixed pump with skid;
- Pump without driveline components;
- Pump complete with gear unit, electric motor and electrical panel;
- Pump complete with gear unit and electric motor;
- Transportable trolley-mounted pump;
- RRA system (Retractable Roller);
- Stainless steel fittings with process connections:
with ANSI or UNI flanges, BSP, NPT, DIN threads or Tri CLAMPs;
- Stainless steel compensators mounted on the connection fittings;
- Compensators flushing kit;
- PVC connection fittings with ANSI or UNI flange;
- PVC compensators for assembly in line;
- Differential pressure switch;
- Hard-wired or radio remote controls.

L.1 CONFIGURATION WITH ELECTRICAL PANEL


The electrical panel and manual controls must be installed at a height and position such as to allow the operator ready access during use without having to stretch or assume awkward postures.

The panel and manual controls must be installed outside the danger zones.

Refer to technical standards EN60204-1 and EN894-4 for useful recommendations concerning the above requirements.

Refer to the annexed documentation for a description of the controls.

L.1.1 ATEX version

<p>Refer to the documentation in the documents folder attached to the machine.</p>	
--	---

L.2 TROLLEY-MOUNTED CONFIGURATION

Configuration [A] (see section D page 16).


For greater manoeuvrability of the pump the skid can be mounted on 2 swivel wheels with brakes and 2 fixed wheels.

Configuration [B] (see section D page 16).

To use the machine with the hopper the pump is supported on a wheel-mounted skid with 2 fixed wheels and 2 swivel wheels complete with tiller handle.

L.2.1 ATEX version

The skid will be fitted with antistatic wheels.

<p>Refer to the documentation in the documents folder attached to the machine.</p>	
--	---

L.3 GEAR UNIT

The pump may be supplied with or without a gear unit.

The gear units are life lubricated and do not normally require lubricant top-ups or changes for their full working life. If the lubricant must be changed following repairs, comply with the procedure described on the installed gear unit manufacturer's website.



Worm gear unit



Inline gear unit

L.3.1 ATEX version

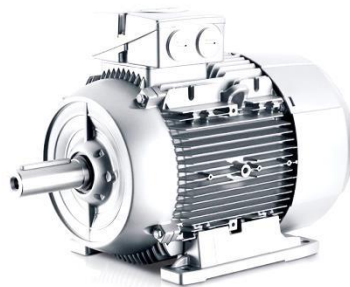
Refer to the documentation in the documents folder attached to the machine.



L.4 MOTOR

The pump can be supplied with or without a prime mover (electric motor or other types).

For routine and extraordinary maintenance of the motor, comply with the procedures described on the installed motor manufacturer's website.



L.4.1 ATEX version

Refer to the documentation in the documents folder attached to the machine.

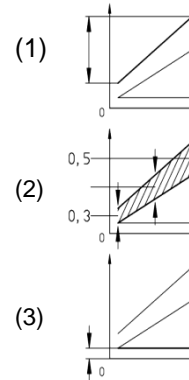


L.5 PRESSURE SWITCH

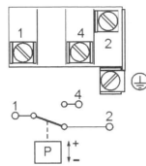
Differential pressure switch for line pressure control.

L.5.1 Technical data

Adjustment range:	0.5 ... 8 bar (1)
Differential trip:	0.3 ... 5 bar (2)
Sensitivity threshold:	0.2 bar (3)
Max permissible pressure:	30 bar
Contact ratings:	24 V; 6 A
Protection rating -EN 60 529-:	IP 54
Ambient temperature:	- 20 + 70°C
Fluid working temperature:	+70°C max.



L.5.2 Electrical connections

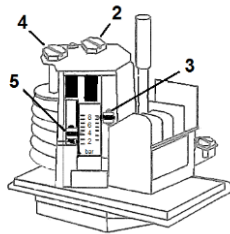


Differential type pressure switch; exchanges the contact at maximum pressure and releases it at reset pressure.

The pressure switch can operate with the following operating logic depending on the pump model and the electrical panel installed:

- **“Automatic”**: the pump stops when the upper pressure limit is exceeded and restarts automatically when the pressure falls below the reset value
- **“Safety”**: the pump stops when the upper pressure limit is exceeded and restarts only and exclusively after the consent of the operator and with pressure below the reset value.

L.5.3 Calibration



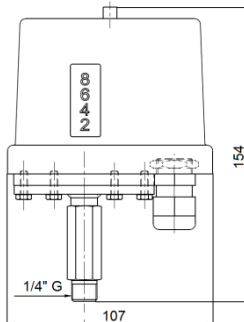
With the calibration screw 2 the upper intervention point is adjusted. Indication with index 3 (red arrow).

With the calibration screw 4 the lower intervention point is adjusted; the upper point remains unchanged. Indication with index 5 (green arrow).

The adjustment scale is not calibrated. For a more precise calibration use a pressure gauge.

Note: the green arrow 5 must never be below the minimum value of the scale.

L.5.4 Overall dimensions



L.5.5 ATEX version

Refer to the documentation in the documents folder attached to the machine.

L.6 RRA SYSTEM CONFIGURATION

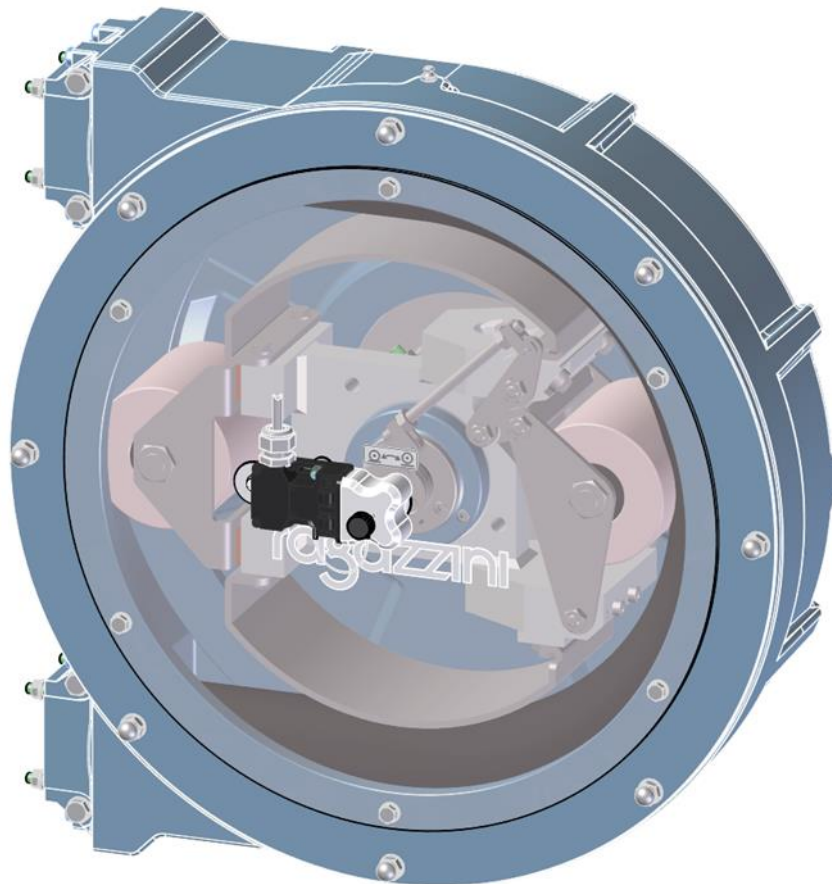
The retractable roller positioning system is extremely useful because it increases the working life of the tubular element.

When the pump is not required for use for a certain period, the retraction mechanism can be operated without opening the pump front cover or dismantling any parts: the tubular element will be relieved of the compression force exerted by the roller.

In addition, the retraction system is indispensable for pumps that are:

- Installed in a food process in which all product contact parts must be cleaned and sterilised at regular intervals.
- Installed in plants in which the pipelines must be flushed to remove residues of abrasive products such as limewash or similar.

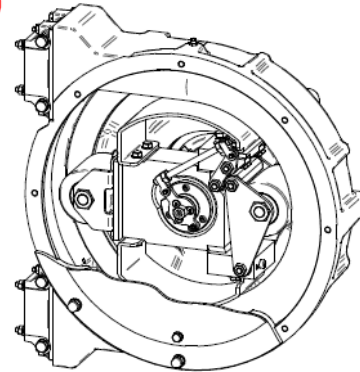
In this case the retractable roller frees the tubular element from the compressive force rapidly to allow perfectly executed C.I.P. (Clean In Place) and S.I.P. (Sterilization In Place) procedures whenever required.



M INSTRUCTIONS FOR ROLLER ENGAGEMENT – DISENGAGEMENT

M.1 ROLLER ENGAGEMENT

The pump is delivered with the roller in its inoperative position.



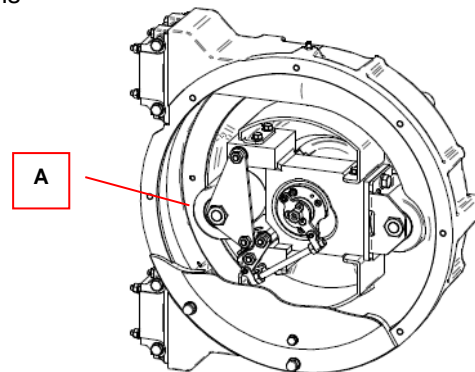
WARNING: Before bringing the roller to its working position, check to ensure that the pump start-up instructions have been complied with.



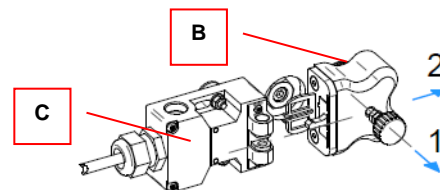
WARNING: Connect the retractable roller electrical safety devices to the electrical panel as shown in the wiring diagram in the next heading.



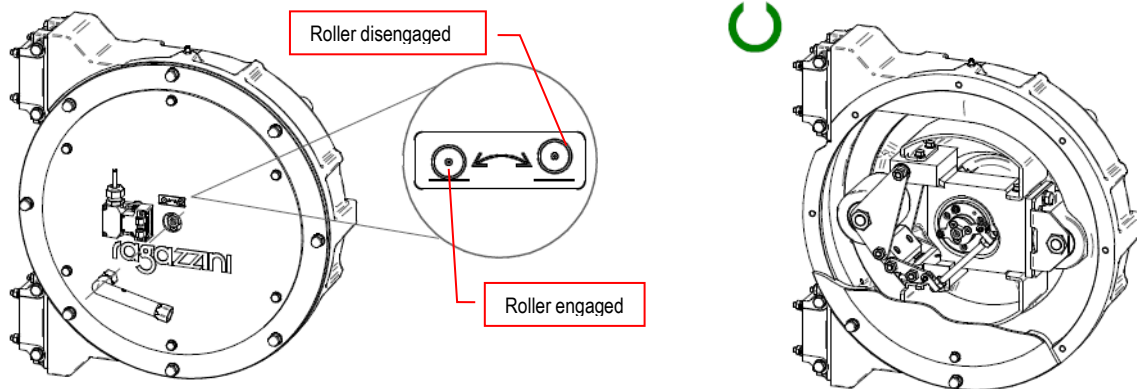
Apply power momentarily to turn the rotor until roller (A) is positioned as shown in the figure.



Free the central hole to gain access to the retraction actuator mechanism;
Remove safety connector (B) by means of knob (1) to separate it from microswitch (C);



WARNING: Insert the box wrench (supplied) in the central hole and turn in the direction shown on the decal through approximately 90° until reaching a stable position.



WARNING: Refit the safety connector: the machine is now ready to return to duty.

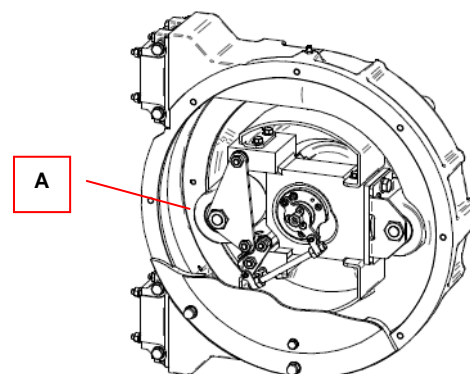


M.2 ROLLER DISENGAGEMENT

Repeat the same steps in reverse order to bring the roller to its inoperative position.

M.3 ACTIONS TO BE AVOIDED

Make sure roller (A) is positioned as shown in the figure; the retractable system must be in this position (roller not in contact with tubular element) to avoid impairing operation of the pump and causing faults.

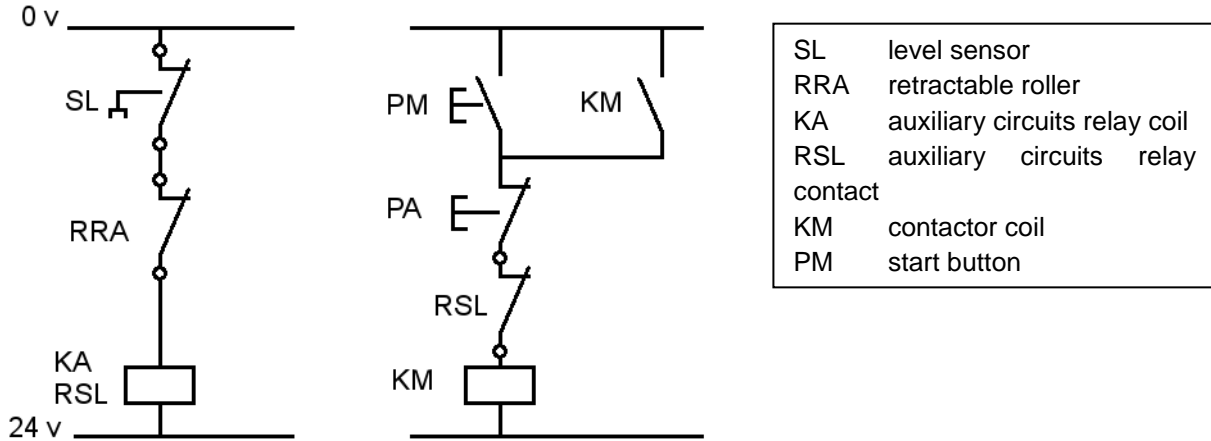


M.5 ELECTRICAL CONNECTIONS (typical wiring diagram)

The cable from the microswitch on the transparent cover / guide must be connected in series with the tubular element rupture sensor contact

Detachment of the safety connector by the microswitch will cause the pump to stop.

The system can be restarted only with an operator command.



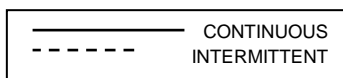
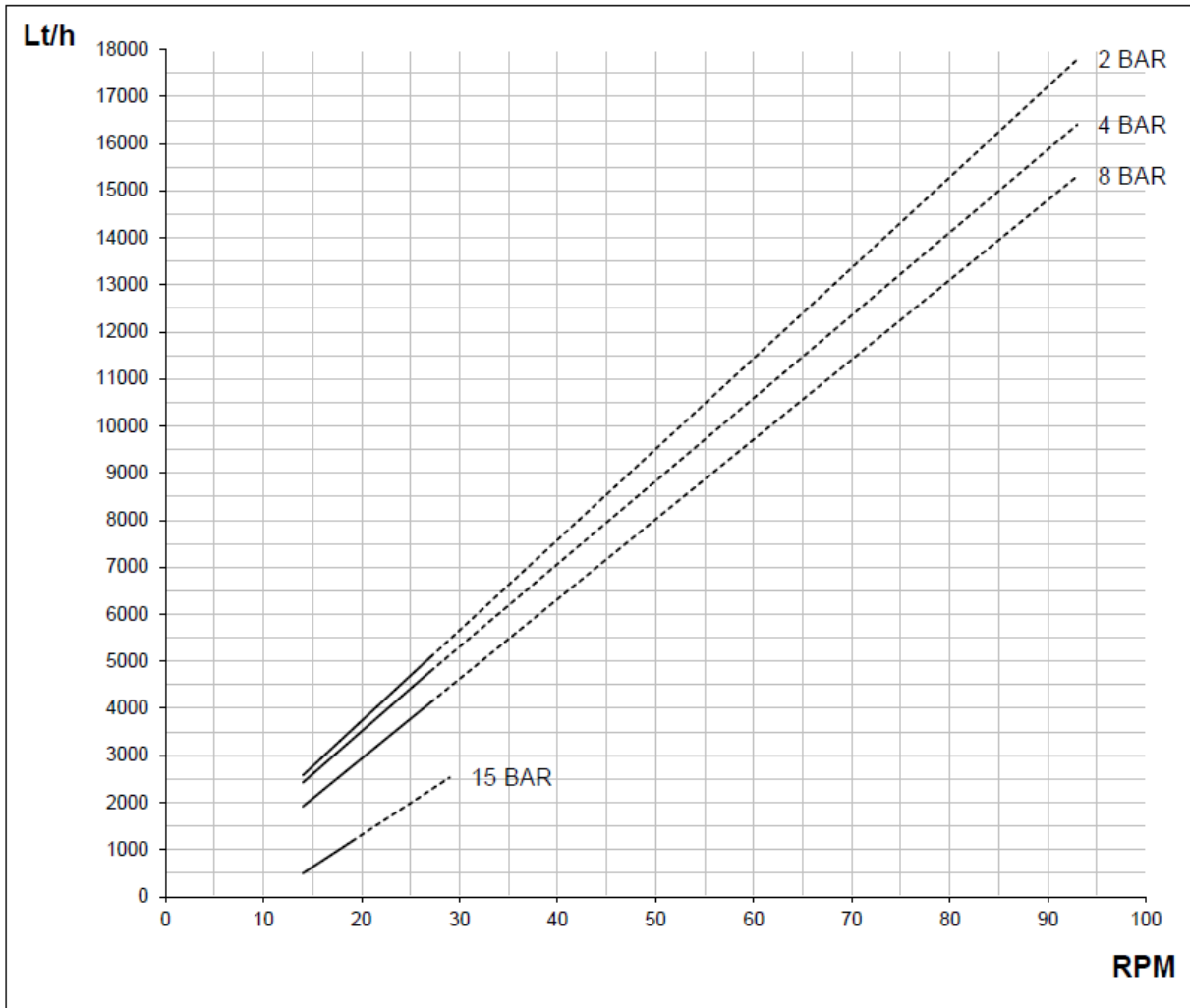
M.6 MICROSWITCH TECHNICAL DATA

Output function	NC
Contact ratings	AC-15: 230 V / 4 A, DC-13: 24 V / 4 A
Tank	synthetic material, fibreglass reinforced self-extinguishing thermoplastic
Protection rating (EN 60-259-)	IP67
Working temperature	-30 ... +80°C

M.6.1 ATEX version

Refer to the documentation in the documents folder attached to the machine.

N IDEAL CHARACTERISTIC EFFICIENCY OF THE PERISTALTIC PUMP

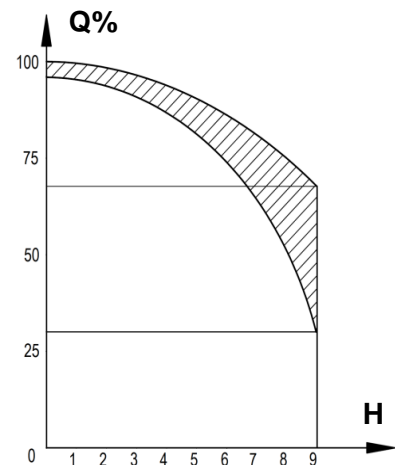


l/h FLOW RATE
 Q% FLOW RATE %
 H SUCTION HEAD (meters of water column)
 RPM ROTOR REVOLUTIONS PER MINUTE

These characteristic curves were plotted by pumping pure water (low dissolved gases) at 20°C, pressure of 1 atm, with a small suction head and hoses of identical diameter to the diameter of the pump connections

Different types of fluids can produce major variations:

- Heavy fluids, i.e. with specific density greater than 1
- Viscous fluids
- Hot fluids
- Fluids with high contents of dissolved gases




O TUBULAR ELEMENT

O.1 SELECTION CRITERIA

The tubular element type characterises the use and limits of the peristaltic pump.

The optimal choice depends on several factors:

- Chemical compatibility;
- Working pressure;
- Working temperature;
- Pump rpm;
- Suction capacity;
- Operating cycle;
- Required durability;
- Food grade compatibility.

Request information on use directly from  at the time of the order.
For fluids or conditions not listed here, take the following precautions:

- **CHEMICALS HAZARD:** Take account of the hazards implicit in handling aggressive chemicals (possible liquid spills). Special conditions of temperature, pressure and concentration affect the degree of aggressiveness of products and may make it dangerous to use the pump.



- Perform an immersion test. Cut a specimen segment of hose and measure the weight, length and other physical parameters. Immerse the test piece in the process liquid for approximately 72 hours and take note of any changes in colour, dimensions, weight, hardness or any other damage. At this point, perform a trail run with the pump.

O.2 DISPOSAL

Comply with local waste disposal regulations.

Contact the competent local office and specify if the product has come into contact with dangerous, toxic or harmful fluids.

The material of the tubular element is vulcanized rubber and synthetic textile inserts.

0.3 TUBULAR ELEMENT SELECTION GUIDE

Hose colour	BLUE	RED	GREEN	YELLOW	WHITE	ORANGE
Hose code	NN	NP	EP	RN	RF	HY
Composition	Natural Rubber	Substrate for food products Natural Rubber	Ethyl Monomer EPDM	Substrate Nitrile-Butadiene NBR	Substrate for food products Nitrile-Butadiene NBR	Chlorosulfonated Polyethylene HYPALON
Physical characteristics	Multi-layer tube with reinforcing textile inserts					
TEMP. °C	-10 +85	-10 +75	-10 +95	-10 +75	-10 +75	-10 +85
PRESS. BAR	-0.9 +8 (15)	-0.9 +6(8)	-0.9 +8	-0.9 +6(8)	-0.9 +6(8)	-0.9 +8
Compatibility	Excellent for abrasive liquids, moderately aggressive liquids and high pressure fluids	Similar to NN, can be used for food products	Suitable for chemical uses and for high pressures	Suitable for oils, fats, hydrocarbons and miscellaneous solvents	Suitable for food oils and fats	Suitable for concentrated acids and alkaline liquids.
Mechanical characteristics Resistance/Lifetime	HIGH	HIGH	MEDIUM	MEDIUM	HIGH	HIGH
Food Classification		FDA-CFR 21 Parts 170 to 199 Item 177.2600			FDA 177.2600 DM 21-3.73 IV B	
For cleaning: C.I.P. and S.I.P. we recommend removing the roller		Sanitisable with water at 70° and 1% Nitric Acid or 10% Acetic Acid or 15% Caustic Soda solutions. Rinse with cold water. Wash with steam at 120° 3 minutes max			Sanitisable with water at 70° and 1% Nitric Acid or 10% Acetic Acid or 15% Caustic Soda solutions. Rinse with cold water. Wash with steam at 120° 3 minutes max	



RAGAZZINI SRL – Via A.Volta n.8 48018 Faenza (RA) Italy
Tel: +39-0546-620433 – Fax: +39-0546-621394
Email: rotho@ragazzini.it – Web: www.ragazzini.it

